

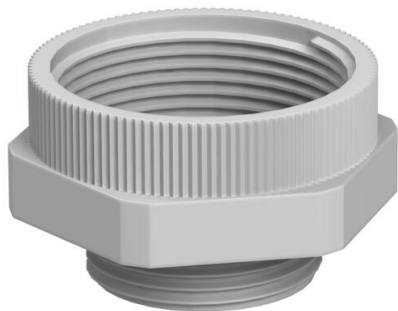
Technical data sheet

Adapter PG-M

Item number: 2031468



Adapter for converting a Pg threaded drill hole to a metric threaded drill hole.



PA Polyamide

Master data

| | |
|------------------------------------|--------------------------|
| Item number | 2031468 |
| Type | 107 ADA PG13-M20 |
| Description 1 | Adapter |
| Description 2 | PG - M |
| Manufacturer | OBO |
| Dimension | PG13,5-M20 |
| Colour | Light grey; RAL 7035 |
| Material | Polyamide |
| Smallest sales unit | 20 |
| Unit of quantity | Piece |
| Weight | 0.416 kg |
| Weight unit | kg/100 pc. |
| CO2 Footprint (GWP) Cradle-to-Gate | 0,0229 kg CO2e / 1 Piece |

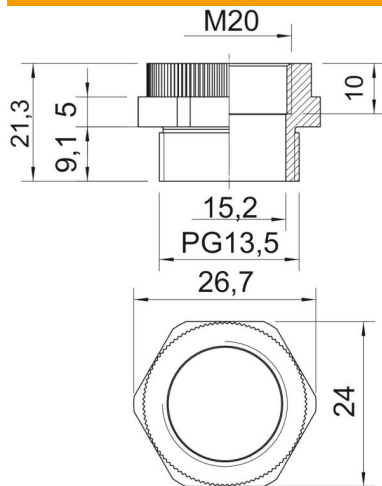
Technical data sheet

Adapter PG-M

Item number: 2031468



Dimensions



| | |
|--------------|---------|
| Dimension D | 15.2 mm |
| Dimension E | 26.7 mm |
| Dimension L | 21.3 mm |
| Dimension L1 | 9.1 mm |
| Dimension L2 | 5 mm |
| Dimension L3 | 10 mm |

Technical data

| | |
|------------------------------------|--------|
| explosion-proof | no |
| Thread type: External thread | PG |
| Thread type: Internal thread | Metric |
| Thread dimension, metric, internal | 20 |
| Thread dimension, PG, external | 13.5 |
| WAF | 24 |
| Nickel-plated | no |