

Technical data sheet

Adapter PG-M

Item number: 2031469



Adapter for converting a Pg threaded drill hole to a metric threaded drill hole.



PA Polyamide

Master data

Item number	2031469
Type	107 ADA PG16-M20
Description 1	Adapter
Description 2	PG - M
Manufacturer	OBO
Dimension	PG16-M20
Colour	Light grey; RAL 7035
Material	Polyamide
Smallest sales unit	20
Unit of quantity	Piece
Weight	0.63 kg
Weight unit	kg/100 pc.
CO2 Footprint (GWP) Cradle-to-Gate	0,0315 kg CO2e / 1 Piece

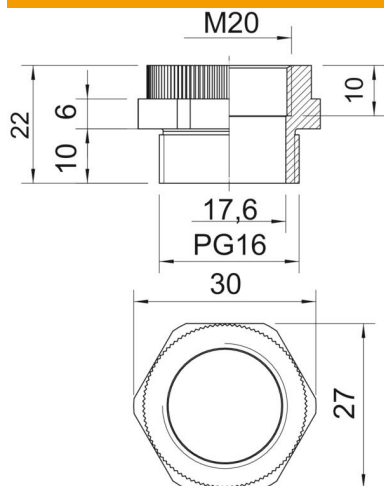
Technical data sheet

Adapter PG-M

Item number: 2031469



Dimensions



Dimension D	17.6 mm
Dimension E	30 mm
Dimension L	22 mm
Dimension L1	10 mm
Dimension L2	6 mm
Dimension L3	10 mm

Technical data

explosion-proof	no
Thread type: External thread	PG
Thread type: Internal thread	Metric
Thread dimension, metric, internal	20
Thread dimension, PG, external	16
WAF	27
Nickel-plated	no