

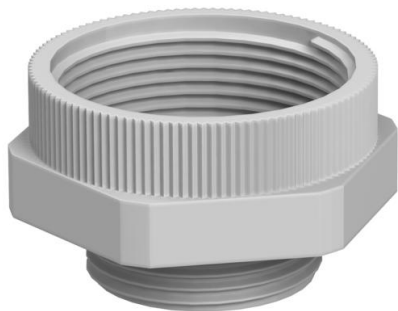
Technical data sheet

Adapter PG-M

Item number: 2031471



Adapter for converting a Pg threaded drill hole to a metric threaded drill hole.



PA Polyamide

Master data

Item number	2031471
Type	107 ADA PG29-M32
Description 1	Adapter
Description 2	PG - M
Manufacturer	OBO
Dimension	PG29-M32
Colour	Light grey; RAL 7035
Material	Polyamide
Smallest sales unit	10
Unit of quantity	Piece
Weight	1.61 kg
Weight unit	kg/100 pc.
CO2 Footprint (GWP) Cradle-to-Gate	0,0772 kg CO2e / 1 Piece

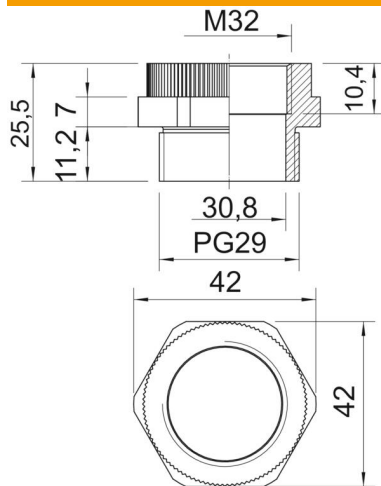
Technical data sheet

Adapter PG-M

Item number: 2031471



Dimensions



Dimension D	30.8 mm
Dimension E	42 mm
Dimension L	25.5 mm
Dimension L1	11.2 mm
Dimension L2	7 mm
Dimension L3	10.4 mm

Technical data

explosion-proof	no
Thread type: External thread	PG
Thread type: Internal thread	Metric
Thread dimension, metric, internal	32
Thread dimension, PG, external	29
WAF	42
Nickel-plated	no