

Technical data sheet

Locknut, metric thread, light grey

Item number: 2048949



Locknut DIN 46319, with metric thread IEC 423.



PA Polyamide

Master data

Item number	2048949
Description 1	Locknut
Manufacturer	OBO
Dimension	M32
Colour	Light grey; RAL 7035
Material	Polyamide
Smallest sales unit	50
Unit of quantity	Piece
Weight	0.61 kg
Weight unit	kg/100 pc.
CO Footprint (GWP) Cradle-to-Gate	0,026 kg COe / 1 Piece

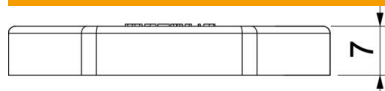
Technical data sheet

Locknut, metric thread, light grey

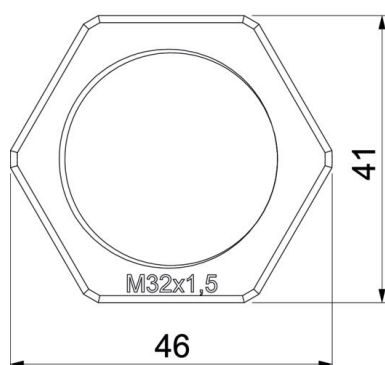
Item number: 2048949



Dimensions



Dimension E	46 mm
Dimension L	7 mm



Technical data

Thread	M32_x_1,5
Thread type	Metric
Nominal thread size metric/PG	32
Fibre-glass reinforced	no
Halogen-free	yes
Impact-resistant	no
WAF	41