

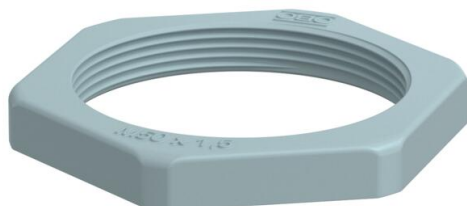
# Technical data sheet

Locknut, metric thread, silver grey

Item number: 2048817



Locknut to DIN 46319, with metric thread IEC 423.



PA Polyamide

## Master data

Item number	2048817
Type	116 M50 SGR PA
Description 1	Locknut
Manufacturer	OBO
Dimension	M50
Colour	Silver grey; RAL 7001
Material	Polyamide
Smallest sales unit	25
Unit of quantity	Piece
Weight	0.903 kg
Weight unit	kg/100 pc.
CO2 Footprint (GWP) Cradle-to-Gate	0,0457 kg CO2e / 1 Piece

# Technical data sheet

Locknut, metric thread, silver grey

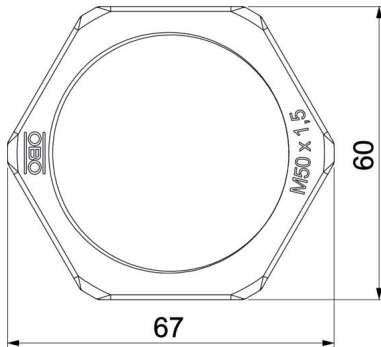
Item number: 2048817



## Dimensions



Dimension E	68 mm
Dimension L	8 mm



## Technical data

Thread	M50 x 1,5
Thread type	Metric
Nominal thread size metric/PG	50
Fibre-glass reinforced	no
Halogen-free	yes
Impact-resistant	no
WAF	60