

Technical data sheet

Pipe end cap, metric, black

Item number: 2047969



Pipe end sleeve to slot onto electrical installation pipes, metric.



PE Polyethylene

Master data

Item number	2047969
Type	129 M32 SW
Description 1	Pipe end sleeve
Description 2	metric
Manufacturer	OBO
Dimension	M32
Colour	Black
Material	Polyethylene
Smallest sales unit	50
Unit of quantity	Piece
Weight	0.44 kg
Weight unit	kg/100 pc.

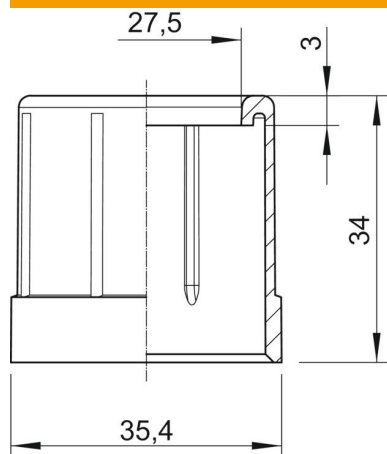
Technical data sheet

Pipe end cap, metric, black

Item number: 2047969



Dimensions



Dimension D1	35.4 mm
Dimension D2	27.5 mm
Dimension L1	34 mm
Dimension L2	3 mm

Technical data

Version for for pipe diameter	Connector 32 mm
Size	M32
Halogen-free	yes
Brushed surface	no
Polished surface	no