

Technical data sheet

Pipe end cap, metric, black

Item number: 2047985



Pipe end sleeve to slot onto electrical installation pipes, metric.



PE Polyethylene

Master data

Item number	2047985
Type	129 M50 SW
Description 1	Pipe end sleeve
Description 2	metric
Manufacturer	OBO
Dimension	M50
Colour	Black
Material	Polyethylene
Smallest sales unit	25
Unit of quantity	Piece
Weight	1 kg
Weight unit	kg/100 pc.

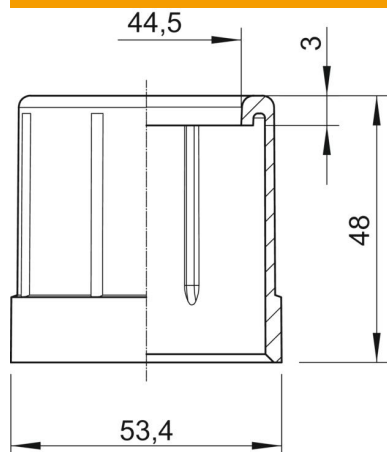
Technical data sheet

Pipe end cap, metric, black

Item number: 2047985



Dimensions



Dimension D1	53.4 mm
Dimension D2	44.5 mm
Dimension L1	48 mm
Dimension L2	3 mm

Technical data

Version for for pipe diameter	Connector 50 mm
Size	M50
Halogen-free	yes
Brushed surface	no
Polished surface	no