

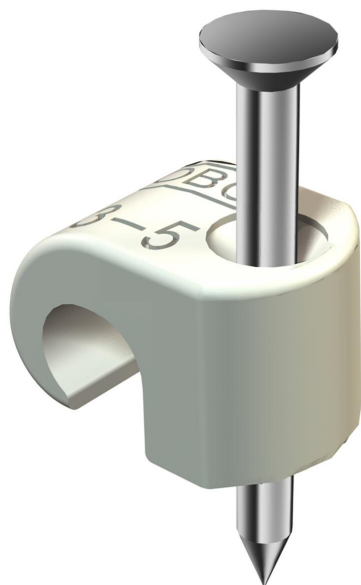
# Technical data sheet

## Adhesive clip 1985, natural

Item number: 2228963



Adhesive clip, for clamping to the cable, short design



PP Polypropylene

### Master data

Item number	2228963
Type	1985 16-19
Description 1	Self-retaining clip
Manufacturer	OBO
Dimension	16-19mm, L40
Colour	Natural
Material	Polypropylene
Smallest sales unit	100
Unit of quantity	Piece
Weight	0.156 kg
Weight unit	kg/100 pc.
CO2 Footprint (GWP) Cradle-to-Gate	0,0111 kg CO2e / 1 Piece

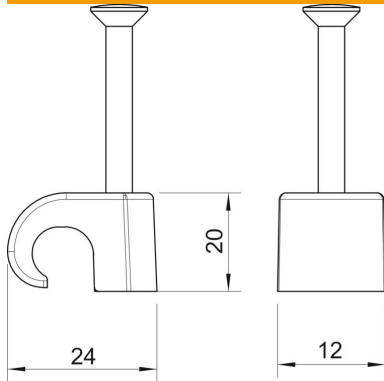
# Technical data sheet

## Adhesive clip 1985, natural

Item number: 2228963



### Dimensions



Length	24 mm
Width	12 mm
Height	20 mm
Dimension B	12 mm
Dimension H	20 mm
Dimension L	24 mm

### Technical data

Double clip	no
Shape	Rectangular (for flat conductor)
for cable diameter, max.	19 mm
for cable diameter, min.	16 mm
For nail diameter	2,5 x 40
Hardened	yes
Halogen-free	no
With nail	yes
Impact-resistant	no
Pipe locking	no