

# Technical data sheet

ISO nail clip 2008, pure white

Item number: 2225638



ISO nail clip, short design



PP Polypropylene

## Master data

Item number	2225638
Type	2008 35 RW
Description 1	ISO nail clip
Manufacturer	OBO
Dimension	8mm, L35
Colour	Pure white; RAL 9010
Material	Polypropylene
Smallest sales unit	100
Unit of quantity	Piece
Weight	0.128 kg
Weight unit	kg/100 pc.
CO2 Footprint (GWP) Cradle-to-Gate	0,0042 kg CO2e / 1 Piece

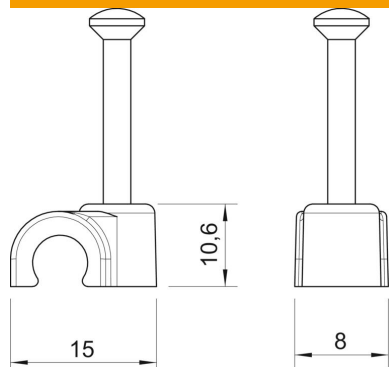
# Technical data sheet

ISO nail clip 2008, pure white

Item number: 2225638



## Dimensions



Dimension B	8 mm
Dimension H	10.6 mm
Dimension L	15 mm

## Technical data

Double clip	no
Shape for cable diameter	Round (for round conductor)
For nail diameter	8 mm
Hardened	2.0x35
Halogen-free	yes
With nail	yes
Nail length	yes
Impact-resistant	35 mm
Pipe locking	no