

# Technical data sheet

## ISO nail clip 2008, light grey

Item number: 2227630



ISO nail clip, short design



PP Polypropylene

### Master data

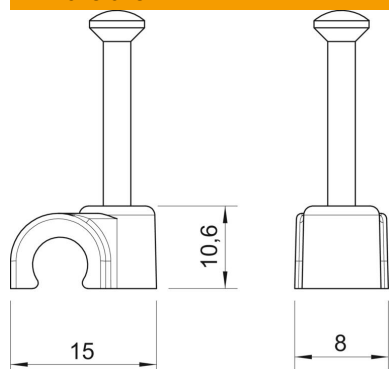
|                                    |                         |
|------------------------------------|-------------------------|
| Item number                        | 2227630                 |
| Type                               | 2008 45 LGR             |
| Description 1                      | ISO nail clip           |
| Manufacturer                       | OBO                     |
| Dimension                          | 8mm, L45                |
| Colour                             | Light grey; RAL 7035    |
| Material                           | Polypropylene           |
| Smallest sales unit                | 100                     |
| Unit of quantity                   | Piece                   |
| Weight                             | 0.148 kg                |
| Weight unit                        | kg/100 pc.              |
| CO2 Footprint (GWP) Cradle-to-Gate | 0,005 kg CO2e / 1 Piece |

# Technical data sheet

## ISO nail clip 2008, light grey

Item number: 2227630

### Dimensions



|             |         |
|-------------|---------|
| Dimension B | 8 mm    |
| Dimension H | 10.6 mm |
| Dimension L | 15 mm   |

### Technical data

|                          |                             |
|--------------------------|-----------------------------|
| Double clip              | no                          |
| Shape for cable diameter | Round (for round conductor) |
| For nail diameter        | 8 mm                        |
| For nail diameter        | 2,0x45                      |
| Hardened                 | yes                         |
| Halogen-free             | yes                         |
| With nail                | yes                         |
| Nail length              | 45 mm                       |
| Impact-resistant         | no                          |
| Transparent              | no                          |
| Pipe locking             | no                          |