

# Technical data sheet

ISO nail clip 2014, white

Item number: 2226111



ISO nail clip, short design



PP Polypropylene

## Master data

|                                    |                          |
|------------------------------------|--------------------------|
| Item number                        | 2226111                  |
| Type                               | 2014 40 RW               |
| Description 1                      | ISO nail clip            |
| Manufacturer                       | OBO                      |
| Dimension                          | 14mm, L40                |
| Colour                             | Pure white; RAL 9010     |
| Material                           | Polypropylene            |
| Smallest sales unit                | 50                       |
| Unit of quantity                   | Piece                    |
| Weight                             | 0.303 kg                 |
| Weight unit                        | kg/100 pc.               |
| CO2 Footprint (GWP) Cradle-to-Gate | 0,0104 kg CO2e / 1 Piece |

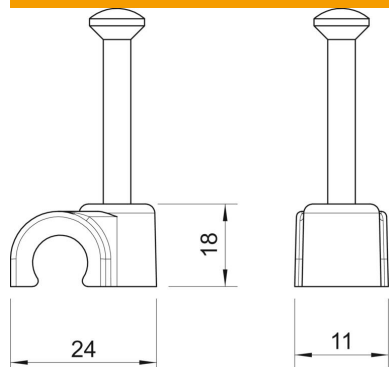
# Technical data sheet

ISO nail clip 2014, white

Item number: 2226111



## Dimensions



|             |       |
|-------------|-------|
| Dimension B | 11 mm |
| Dimension H | 18 mm |
| Dimension L | 24 mm |

## Technical data

|                          |                             |
|--------------------------|-----------------------------|
| Double clip              | no                          |
| Shape for cable diameter | Round (for round conductor) |
| For nail diameter        | 2,0x40                      |
| Hardened                 | yes                         |
| Halogen-free             | yes                         |
| With nail                | yes                         |
| Nail length              | 40 mm                       |
| Impact-resistant         | no                          |
| Pipe locking             | no                          |