

Technical data sheet

Grip 20

Item number: 2205408



Cable tidy for general use with fastening holes of Ø 6 mm, suitable for wall and ceiling mounting. The moulded fastening element can be fastened using knock-in anchors or a gas pressure nail gun. The recommended fastening spacing when assigned fully is 250–400 mm. With multifunctional fastening element.

Capacity: 2031/ 20 max. 20 cables NYM 3 x 1.5 mm²



PP Polypropylene

Master data

| | |
|------------------------------------|--------------------------|
| Item number | 2205408 |
| Type | 2031 20 SP |
| Description 1 | Grip collecting clamp |
| Manufacturer | OBO |
| Dimension | 20x NYM3x1,5 |
| Colour | Light grey; RAL 7035 |
| Material | Polypropylene |
| Smallest sales unit | 100 |
| Unit of quantity | Piece |
| Weight | 1.92 kg |
| Weight unit | kg/100 pc. |
| CO2 Footprint (GWP) Cradle-to-Gate | 0,0745 kg CO2e / 1 Piece |

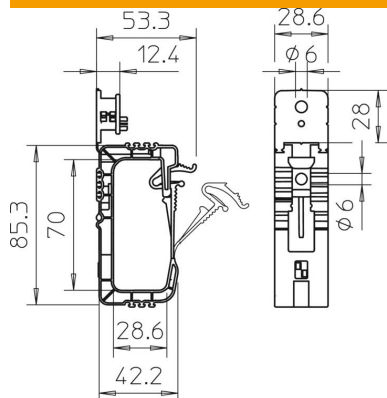
Technical data sheet

Grip 20

Item number: 2205408



Dimensions



Technical data

| | |
|-------------------------------|---------|
| No. of conductors NYM 3 x 1.5 | 20 |
| Flame-resistant version | no |
| Breaking load | 0.32 kN |
| Maintain electrical functions | no |
| Halogen-free | yes |
| With anchor | no |