

Technical data sheet

Grip 40

Item number: 2205420



Collection clamp for general use with fastening holes of \varnothing 6 mm, suitable for wall and ceiling mounting. The moulded fastening element can be fastened using knock-in anchors or a gas pressure nail gun. The recommended fastening spacing when assigned fully is 250–400 mm. With multifunctional fastening element. Capacity: 2031/ 40 max. 40 cables NYM 3 x 1.5 mm²



PP Polypropylene

Master data

Item number	2205420
Type	2031 40 SP
Description 1	Grip collecting clamp
Manufacturer	OBO
Dimension	40x NYM3x1,5
Colour	Light grey; RAL 7035
Material	Polypropylene
Smallest sales unit	50
Unit of quantity	Piece
Weight	3.28 kg
Weight unit	kg/100 pc.
CO2 Footprint (GWP) Cradle-to-Gate	0,1155 kg CO2e / 1 Piece

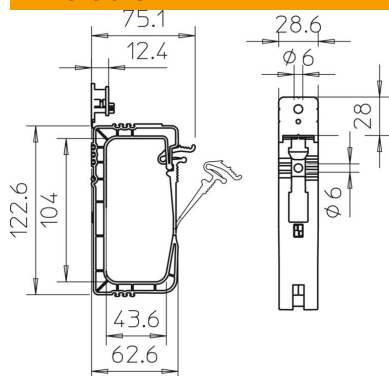
Technical data sheet

Grip 40

Item number: 2205420



Dimensions



Technical data

No. of conductors NYM 3 x 1.5	40
Flame-resistant version	no
Breaking load	0.32 kN
Maintain electrical functions	no
Halogen-free	yes
With anchor	no