

# Technical data sheet

## Pressure clip with knock-in anchor, for 8 cables

Item number: 2204851



With pre-mounted knock-in anchor, 6 mm Ø.  
Required drill hole depth 50 mm.  
Clamping height 9 mm – with spacer 13 mm.  
Fastening hole 6 mm Ø.  
2032/SD for max. 8 cables NYM 3 x 1.5 mm<sup>2</sup>



PA Polyamide

### Master data

Item number	2204851
Type	2032 SD SP
Description 1	Pressure clip
Description 2	large packaging
Manufacturer	OBO
Dimension	1x8 NYM3x1,5
Colour	Light grey; RAL 7035
Material	Polyamide
Smallest sales unit	100
Unit of quantity	Piece
Weight	1.791 kg
Weight unit	kg/100 pc.
CO2 Footprint (GWP) Cradle-to-Gate	0,0805 kg CO2e / 1 Piece

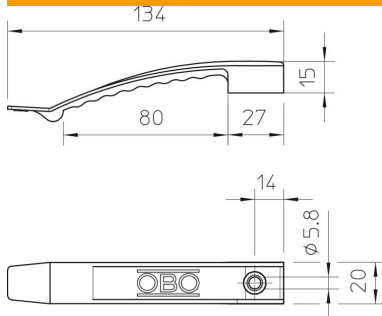
# Technical data sheet

Pressure clip with knock-in anchor, for 8 cables

Item number: 2204851



## Dimensions



## Technical data

No. of conductors NYM 3 x 1.5	8
Flame-resistant version	no
Maintain electrical functions	no
Halogen-free	yes
With anchor	yes