

Technical data sheet

Screw-in spacer clip, universal

Item number: 1380222



With M6 thread.
Universal clip with large tensioning area.

- St** Steel
- G** Electrogalvanized

Master data

Item number	1380222
Description 1	Distance saddle
Description 2	with threaded connection M6
Manufacturer	OBO
Dimension	20-30mm
Material	Steel
Surface	Electrogalvanized
Surface standard	EN ISO 19598 / EN ISO 4042
Smallest sales unit	50
Unit of quantity	Piece
Weight	3.31 kg
Weight unit	kg/100 pc.
CO Footprint (GWP) Cradle-to-Gate	0,925 kg COe / 1 Meter

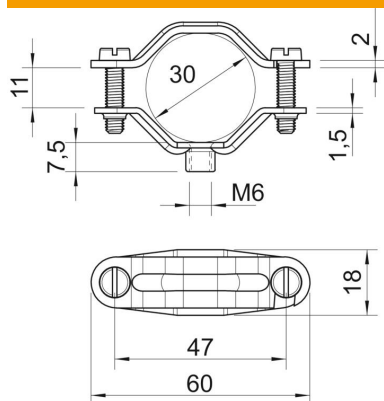
Technical data sheet

Screw-in spacer clip, universal

Item number: 1380222



Dimensions



Length	60 mm
Width	14 mm
Dimension A	60 mm
Dimension B	47 mm
Dimension b	18 mm
Dimension D	30 mm
Dimension d min.	30 mm
Dimension H	7.5 mm
Dimension L	60 mm
Dimension t1 (mm)	1.5
Dimension t2 (mm)	2
Dimension x	11 mm

Technical data

Version for	Closed
Fastening type	Screw hole
Suitable in fire protection area	no
Halogen-free	no
Plastic-covered	no
Hole size	M6 mm
Material thickness	1.5 mm
Bolt	M5 x 20
Clamping range D, max.	30 mm
Clamping range D, min.	20 mm
UV-resistant	yes