

Technical data sheet

Strain relief, type 2390/Z8

Item number: 6270727



Suitable for accessory mounting box 2390/8T...
Strain relief suitable for accessory mounting box 2390/8T...



PVC Polyvinylchloride

Master data

Item number	6270727
Type	2390/Z8
Description 1	Strain relief
Description 2	for 2390/8T
Manufacturer	OBO
Colour	Stone grey; RAL 7030
Material	Polyvinylchloride
Smallest sales unit	5
Unit of quantity	Piece
Weight	0.5 kg
Weight unit	kg/100 pc.
CO2 Footprint (GWP) Cradle-to-Gate	0,0198 kg CO2e / 1 Piece

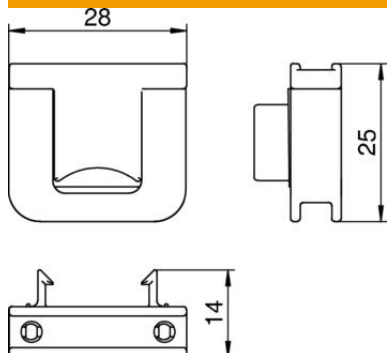
Technical data sheet

Strain relief, type 2390/Z8

Item number: 6270727



Dimensions



Technical data

Halogen-free	no
Cover width	80 mm
Accessories	yes
Spare part	no
Magnetic	no