

Technical data sheet

Diagonal connector for A4 round conductor

Item number: 5313013



- Meets the requirements of VDE 0185-305-3 (IEC/ EN 62305-3)
- To connect round conductors 8–10 mm
- Mounted with 2 truss-head bolts M10 x 30 and 2 hexagonal bolts M10



A4 Stainless steel

Master data

Item number	5313013
Type	2760 8-10 V4A
Description 1	Connecting strap
Manufacturer	OBO
Dimension	101x30
Material	Stainless steel 1.4571/1.4404
Smallest sales unit	25
Unit of quantity	Piece
Weight	21.364 kg
Weight unit	kg/100 pc.
CO2 Footprint (GWP) Cradle-to-Gate	1,2273 kg CO2e / 1 Piece

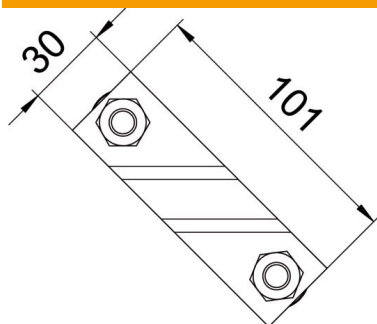
Technical data sheet

Diagonal connector for A4 round conductor

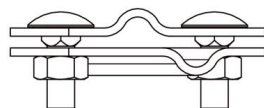
Item number: 5313013



Dimensions



Length	101 mm
Width	30 mm
Height	35 mm
Dimension A	101 mm



Technical data

Type of fastening screw	Gutter bolt
Type of connector	Connectors
Lightning current carrying capacity	H/100 kA
Suitable for connection	Round conductor Rd 8–10 / Rd 8–10
Fit	Rd 8-10 mm
Intermediate plate	no
Clamping range, max.	10 mm
Clamping range, min.	8 mm