

Technical data sheet

Base clamp clip, single

Item number: 2140411



Can be screwed onto M6 thread.



PP Polypropylene

Master data

Item number	2140411
Type	2962 42 LGR
Description 1	Base clamp
Manufacturer	OBO
Dimension	40-42mm
Colour	Light grey; RAL 7035
Material	Polypropylene
Smallest sales unit	25
Unit of quantity	Piece
Weight	1.709 kg
Weight unit	kg/100 pc.
CO2 Footprint (GWP) Cradle-to-Gate	0,0718 kg CO2e / 1 Piece

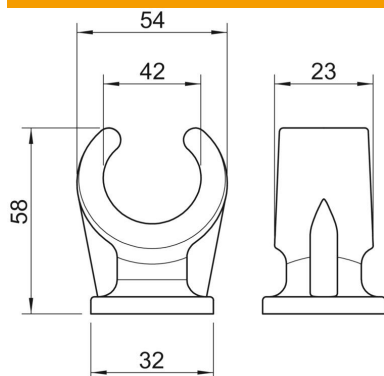
Technical data sheet

Base clamp clip, single

Item number: 2140411



Dimensions



Dimension A	54 mm
Dimension B	23 mm
Dimension C	32 mm
Dimension H	58 mm

Technical data

Number of cables/pipes	1
Version for	Single-lobe
Fastening type	Threaded connection
Suitable in fire protection area	no
Size	40-42
Halogen-free	yes
Plastic-covered	no
Nominal diameter	39 mm
Clamping range D, max.	42 mm
Clamping range D, min.	40 mm
UV-resistant	no