

Technical data sheet

90° Quick pipe bend, pure white

Item number: 2154064



Fitting for plastic electrical installation pipes to create 90° bends. Suitable for Quick pipe pipes or corrugated pipes. Toolless closing and opening. Can be used in a temperature range of -25 to +60 °C.



PP Polypropylene

Master data

Item number	2154064
Type	3000 BMS M20 RW
Description 1	90° Quick pipe bend
Manufacturer	OBO
Dimension	M20
Colour	Pure white; RAL 9010
Material	Polypropylene
Smallest sales unit	5
Unit of quantity	Piece
Weight	1.103 kg
Weight unit	kg/100 pc.
CO2 Footprint (GWP) Cradle-to-Gate	0,0822 kg CO2e / 1 Piece

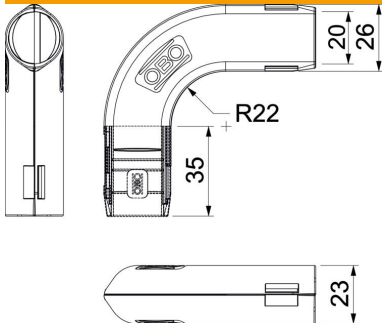
Technical data sheet

90° Quick pipe bend, pure white

Item number: 2154064



Dimensions



Dimension B	26.3 mm
Dimension d	20 mm
Dimension L	83.2 mm
Dimension L1	35 mm
Dimension R	22 mm

Technical data

Version for	Connector
Flexible	no
Halogen-free	yes
With inspection opening and lid	no
With sleeve	no
Brushed surface	no
Polished surface	no
Permitted temperature range, max.	60 °C
Permitted temperature range, min.	0 °C
Angle of the bend	90 °
Two-part	yes