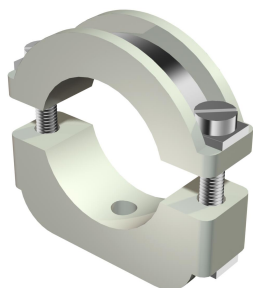


# Technical data sheet

## Lightning ISO clip, screw-on

Item number: 2158248



Lightning ISO clips: plastic clip with metal insert, therefore also suitable for heavy-duty applications; metal parts made of electrogalvanised steel.  
Can be screwed onto M6 thread.  
\*Sizes 6–12 and 10–17 not suitable for bolt-firing device.



PS Polystyrene

### Master data

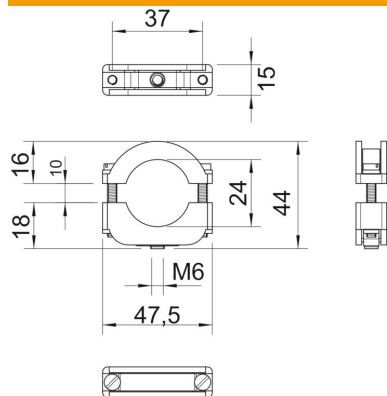
Item number	2158248
Type	3021 LGR
Description 1	Lightning ISO clip
Manufacturer	OBO
Dimension	17-24mm
Colour	Light grey; RAL 7035
Material	Polystyrene
Smallest sales unit	25
Unit of quantity	Piece
Weight	2.632 kg
Weight unit	kg/100 pc.
CO2 Footprint (GWP) Cradle-to-Gate	0,08 kg CO2e / 1 Piece

# Technical data sheet

## Lightning ISO clip, screw-on

Item number: 2158248

### Dimensions



Dimension A	47.5 mm
Dimension B	37 mm
Dimension b	15 mm
Dimension D	24 mm
Dimension H	44 mm
Dimension Ho (mm)	16
Dimension Hu (mm)	18
Dimension l	30 mm
Dimension x	8 mm

### Technical data

Number of cables/pipes	1
Version for	Closed
Fastening type	Threaded connection
Suitable in fire protection area	no
Halogen-free	yes
Plastic-covered	no
Bolt	M4 x 30
Clamping range D, max.	24 mm
Clamping range D, min.	17 mm
UV-resistant	no