

# Technical data sheet

## Wall and support bracket AW 15 2L

Item number: 6420921



Wall and support bracket with welded head plate and two fastening holes.  
The double-perforated bracket offers the special option of double anchoring on  
lightweight partitions and light masonry.



- St** Steel
- FT** Hot-dip galvanised

### Master data

Item number	6420921
Type	AW 15 41 FT 2L
Description 1	Wall and support bracket
Description 2	with 2 fastening holes
Manufacturer	OBO
Dimension	B410mm
Colour	zinc
Material	Steel
Surface	Hot-dip galvanised
Surface standard	DIN EN ISO 1461
Smallest sales unit	1
Unit of quantity	Piece
Weight	59.3 kg
Weight unit	kg/100 pc.
CO2 Footprint (GWP) Cradle-to-Gate	1,3329 kg CO2e / 1 Piece

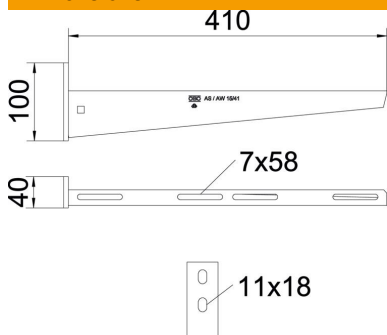
# Technical data sheet

## Wall and support bracket AW 15 2L



Item number: 6420921

### Dimensions



Length	40 mm
Width	410 mm
Width	16 in
Height	100 mm
Height	2.52 in
Dimension A	40 mm
Dimension B	410 mm
Dimension H	100 mm

### Technical data

Version for	Wall and support bracket
F in kN	1.5 kN
Maintain electrical functions	no
Hole diameter	11 mm
Rustproof steel, pickled	no
Angle range, max.	90 mm
Angle range, min.	90 mm

### Loads



#### Load diagram, bracket, type AW 15

- 1** Bending of the bracket tip at permitted bracket load
- 2** Permitted bracket load in kN without man load
- Load curve with bracket lengths in mm

### Characteristic anchor load values for wall bracket AW 15

Wall fastening	Max. load [kN]
Anchor type	Bracket width [mm]
BZ3 10x90/0-30	<p>&lt;TEXT&gt;&lt;P&gt;110&lt;/P&gt;&lt;/TEXT&gt;, &lt;TEXT&gt;&lt;P&gt;160&lt;/P&gt;&lt;/TEXT&gt;, &lt;TEXT&gt;&lt;P&gt;210&lt;/P&gt;&lt;/TEXT&gt;, &lt;TEXT&gt;&lt;P&gt;310&lt;/P&gt;&lt;/TEXT&gt;, &lt;TEXT&gt;&lt;P&gt;410&lt;/P&gt;&lt;/TEXT&gt;, &lt;TEXT&gt;&lt;P&gt;510&lt;/P&gt;&lt;/TEXT&gt;, &lt;TEXT&gt;&lt;P&gt;560&lt;/P&gt;&lt;/TEXT&gt;, &lt;TEXT&gt;&lt;P&gt;610&lt;/P&gt;&lt;/TEXT&gt;</p> <p>&lt;TEXT&gt;&lt;P&gt;1.5&lt;/P&gt;&lt;/TEXT&gt;, &lt;TEXT&gt;&lt;P&gt;1.5&lt;/P&gt;&lt;/TEXT&gt;, &lt;TEXT&gt;&lt;P&gt;1.5&lt;/P&gt;&lt;/TEXT&gt;, &lt;TEXT&gt;&lt;P&gt;1.47&lt;/P&gt;&lt;/TEXT&gt;, &lt;TEXT&gt;&lt;P&gt;1.25&lt;/P&gt;&lt;/TEXT&gt;, &lt;TEXT&gt;&lt;P&gt;1.13&lt;/P&gt;&lt;/TEXT&gt;, &lt;TEXT&gt;&lt;P&gt;0.95&lt;/P&gt;&lt;/TEXT&gt;, &lt;TEXT&gt;&lt;P&gt;0.94&lt;/P&gt;&lt;/TEXT&gt;</p>

Die angegebenen Werte basieren auf gerissenem Beton der Festigkeitsklasse C20/25. Die Einbaubedingungen der ETA-Zulassung (Dübel) sind zu beachten!