

# Technical data sheet

## Wall and support bracket AW 30 A2

Item number: 6442854



Medium-duty wall and support bracket with welded head plate.  
Fastening of the bracket to the U support of width 400 mm or greater using a hexagonal bolt through both sides of the support. Please insert suitable spacers.



**A2** Stainless steel

**2B** Bright, treated

### Master data

|                                    |                          |
|------------------------------------|--------------------------|
| Item number                        | 6442854                  |
| Type                               | AW 30 31 A2              |
| Description 1                      | Wall and support bracket |
| Description 2                      | with welded head plate   |
| Manufacturer                       | OBO                      |
| Dimension                          | B310mm                   |
| Colour                             | stainless steel          |
| Material                           | Stainless steel 1.4301   |
| Surface                            | Bright, treated          |
| Surface standard                   |                          |
| Smallest sales unit                | 1                        |
| Unit of quantity                   | Piece                    |
| Weight                             | 60.5 kg                  |
| Weight unit                        | kg/100 pc.               |
| CO2 Footprint (GWP) Cradle-to-Gate | 3,5941 kg CO2e / 1 Piece |

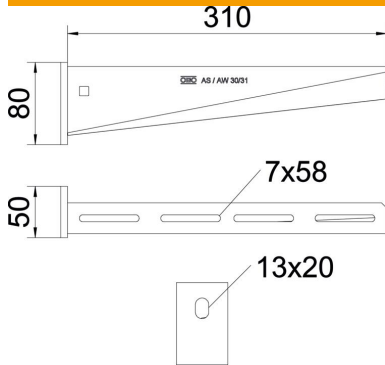
# Technical data sheet

## Wall and support bracket AW 30 A2



Item number: 6442854

### Dimensions

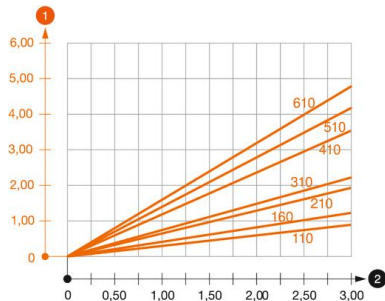


|             |        |
|-------------|--------|
| Length      | 50 mm  |
| Width       | 310 mm |
| Height      | 80 mm  |
| Dimension A | 50 mm  |
| Dimension B | 310 mm |
| Dimension H | 80 mm  |

### Technical data

|                               |                          |
|-------------------------------|--------------------------|
| Version for                   | Wall and support bracket |
| F in kN                       | 3 kN                     |
| Maintain electrical functions | no                       |
| Hole diameter                 | 13 mm                    |
| Rustproof steel, pickled      | yes                      |
| Angle range, max.             | 90 mm                    |
| Angle range, min.             | 90 mm                    |

### Loads



#### Load diagram, bracket, type AW 30

- 1 Bending of the bracket tip at permitted bracket load
  - 2 Permitted bracket load in kN without man load
- Load curve with bracket lengths in mm

# Technical data sheet

## Wall and support bracket AW 30 A2

Item number: 6442854



### Characteristic anchor load values for wall and support bracket AW 30

| Wall fastening  | Max. load [kN]  |
|-----------------|---|
|                 | Bracket width [mm]  |
| Anchor type     | <P>110</P>, <P>160</P>, <P>210</P>, <P>310</P>, <P>410</P>, <P>510</P>, <P>560</P>, <P>610</P>, <P>710</P>    |
| BZ3 10x90/0-30  | <P>3.00</P>, <P>2.10</P>, <P>-</P>, <P>-</P>, <P>-</P>, <P>-</P>  |
| BZ3 12x110/0-35 | <P>-</P>, <P>-</P>, <P>3.00</P>, <P>2.71</P>, <P>2.07</P>, <P>2.02</P>, <P>1.98</P>, <P>1.98</P>, <P>1.51</P> |

Max. Belastung F ges. = Kabelgewicht + Kabelrinne + Ausleger. Die angegebenen Werte basieren auf gerissenem Beton der Festigkeitsklasse C20/25. Die Einbaubedingungen der ETA-Zulassung (Dübel) sind zu beachten!