

# Technical data sheet

## Wall and support bracket AW 30 FT

Item number: 6419747



Medium-duty wall and support bracket with welded head plate.  
Fastening of the bracket to the U support of width 400 mm or greater using a hexagonal bolt through both sides of the support. Please insert suitable spacers.



St

Steel

FT

Hot-dip galvanised

### Master data

|                                    |                          |
|------------------------------------|--------------------------|
| Item number                        | 6419747                  |
| Type                               | AW 30 31 FT              |
| Description 1                      | Wall and Support bracket |
| Description 2                      | with welded head plate   |
| Manufacturer                       | OBO                      |
| Dimension                          | B310mm                   |
| Colour                             | zinc                     |
| Material                           | Steel                    |
| Surface                            | Hot-dip galvanised       |
| Surface standard                   | DIN EN ISO 1461          |
| Smallest sales unit                | 1                        |
| Unit of quantity                   | Piece                    |
| Weight                             | 63 kg                    |
| Weight unit                        | kg/100 pc.               |
| CO2 Footprint (GWP) Cradle-to-Gate | 1,4164 kg CO2e / 1 Piece |

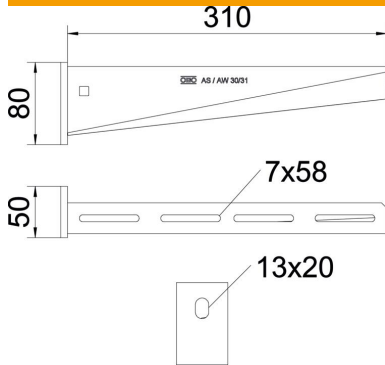
# Technical data sheet

## Wall and support bracket AW 30 FT

Item number: 6419747



### Dimensions

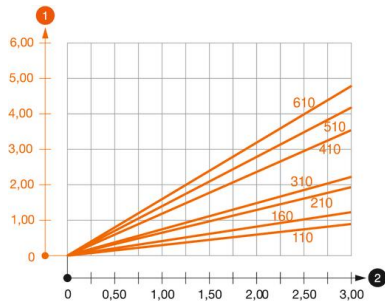


|             |        |
|-------------|--------|
| Length      | 50 mm  |
| Width       | 310 mm |
| Height      | 80 mm  |
| Dimension A | 50 mm  |
| Dimension B | 310 mm |
| Dimension H | 80 mm  |

### Technical data

|                               |                          |
|-------------------------------|--------------------------|
| Version for                   | Wall and support bracket |
| EPD article                   | yes                      |
| F in kN                       | 3 kN                     |
| Maintain electrical functions | yes                      |
| Hole diameter                 | 13 mm                    |
| Rustproof steel, pickled      | no                       |
| Angle range, max.             | 90 mm                    |
| Angle range, min.             | 90 mm                    |

### Loads



#### Load diagram, bracket, type AW 30

- 1** Bending of the bracket tip at permitted bracket load
- 2** Permitted bracket load in kN without man load
- Load curve with bracket lengths in mm

# Technical data sheet

## Wall and support bracket AW 30 FT

Item number: 6419747

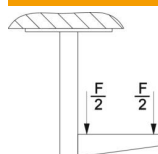


### Characteristic anchor load values for wall and support bracket AW 30

| Wall fastening  | Max. load [kN]  |
|-----------------|---|
|                 | Bracket width [mm]  |
| Anchor type     | <P>110</P>, <P>160</P>, <P>210</P>, <P>310</P>, <P>410</P>, <P>510</P>, <P>560</P>, <P>610</P>, <P>710</P>    |
| BZ3 10x90/0-30  | <P>3.00</P>, <P>2.10</P>, <P>-</P>, <P>-</P>, <P>-</P>, <P>-</P>  |
| BZ3 12x110/0-35 | <P>-</P>, <P>-</P>, <P>3.00</P>, <P>2.71</P>, <P>2.07</P>, <P>2.02</P>, <P>1.98</P>, <P>1.98</P>, <P>1.51</P> |

Die angegebenen Werte basieren auf gerissenem Beton der Festigkeitsklasse C20/25. Die Einbaubedingungen der ETA-Zulassung (Dübel) sind zu beachten!

### Load values for AW 30 on suspended support



| Support          | Max. total load F in kN                        |
|------------------|--|
|                  | Bracket length in mm                           |
|                  | <P>100</P>, <P>200</P>, <P>300</P>, <P>400</P> |
| US 3 K/ 20 - 60  | <P>2.1</P>, <P>1.8</P>, <P>1.3</P>, <P>1.3</P> |
| US 3 K/ 70 - 120 | <P>1.8</P>, <P>1.5</P>, <P>1.3</P>, <P>1.3</P> |
| US 5 K/ 20 - 60  | <P>2.4</P>, <P>2.0</P>, <P>1.8</P>, <P>2.5</P> |
| US 5 K/ 70 - 120 | <P>2.4</P>, <P>2.0</P>, <P>1.4</P>, <P>2.5</P> |