

Technical data sheet

Wall and support bracket AW 30 A4

Item number: 6443346



Wall and support bracket with welded head plate of width 410 mm.
Fastening of the bracket to the U support of width 400 mm or greater using a hexagonal bolt through both sides of the support. Please insert suitable spacers.



A4 Stainless steel

2B Bright, treated

Master data

Item number	6443346
Type	AW 30 41 A4
Description 1	Wall and support bracket
Description 2	with welded head plate
Manufacturer	OBO
Dimension	B410mm
Colour	stainless steel
Material	Stainless steel 1.4571
Surface	Bright, treated
Surface standard	
Smallest sales unit	1
Unit of quantity	Piece
Weight	85.2 kg
Weight unit	kg/100 pc.
CO2 Footprint (GWP) Cradle-to-Gate	4,97 kg CO2e / 1 Piece

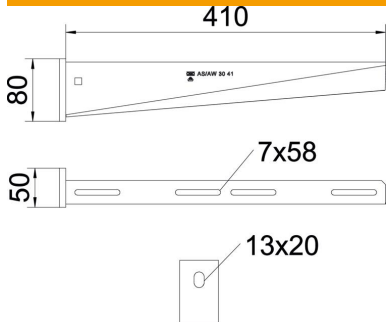
Technical data sheet

Wall and support bracket AW 30 A4

Item number: 6443346



Dimensions

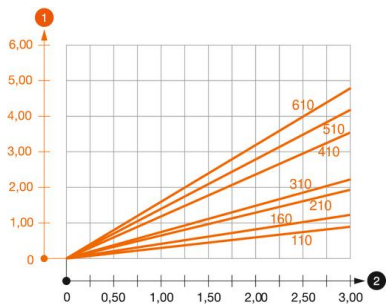


Length	50 mm
Width	410 mm
Height	80 mm
Dimension A	50 mm
Dimension B	410 mm
Dimension H	80 mm

Technical data

Version for	Wall and support bracket
F in kN	3 kN
Maintain electrical functions	no
Hole diameter	13 mm
Rustproof steel, pickled	no
Angle range, max.	90 mm
Angle range, min.	90 mm

Loads



Load diagram, bracket, type AW 30

- 1** Bending of the bracket tip at permitted bracket load
- 2** Permitted bracket load in kN without man load
- Load curve with bracket lengths in mm

Characteristic anchor load values for wall and support bracket AW 30

Wall fastening	Max. load [kN]
	Bracket width [mm]
Anchor type	<TEXT><P>110</P></TEXT>, <TEXT><P>160</P></TEXT>, <TEXT><P>210</P></TEXT>, <TEXT><P>310</P></TEXT>, <TEXT><P>410</P></TEXT>, <TEXT><P>510</P></TEXT>, <TEXT><P>560</P></TEXT>, <TEXT><P>610</P></TEXT>, <TEXT><P>710</P></TEXT>
BZ3 10x90/0-30	<TEXT><P>3.00</P></TEXT>, <TEXT><P>2.10</P></TEXT>, <TEXT><P>-</P></TEXT>, <TEXT><P>-</P></TEXT>, <TEXT><P>-</P></TEXT>, <TEXT><P>-</P></TEXT>, <TEXT><P>-</P></TEXT>
BZ3 12x110/0-35	<TEXT><P>-</P></TEXT>, <TEXT><P>-</P></TEXT>, <TEXT><P>3.00</P></TEXT>, <TEXT><P>2.71</P></TEXT>, <TEXT><P>2.07</P></TEXT>, <TEXT><P>2.02</P></TEXT>, <TEXT><P>1.98</P></TEXT>, <TEXT><P>1.98</P></TEXT>, <TEXT><P>1.51</P></TEXT>

Max. Belastung F ges. = Kabelgewicht + Kabelrinne + Ausleger. Die angegebenen Werte basieren auf gerissenem Beton der Festigkeitsklasse C20/25. Die Einbaubedingungen der ETA-Zulassung (Dübel) sind zu beachten!