

Technical data sheet

Wall bracket AW 80

Item number: 6417795



Heavy-duty wall bracket with welded head plate.
When fastening cable trays and ladders with truss-head bolts of size M6, please order large washers separately (perforation in bracket 9 x ...).



- St** Steel
- FT** Hot-dip galvanised

Master data

Item number	6417795
Type	AW 80 41 FT
Description 1	Wall bracket
Description 2	with welded head plate
Manufacturer	OBO
Dimension	B410mm
Colour	zinc
Material	Steel
Surface	Hot-dip galvanised
Surface standard	DIN EN ISO 1461
Smallest sales unit	1
Unit of quantity	Piece
Weight	213 kg
Weight unit	kg/100 pc.
CO2 Footprint (GWP) Cradle-to-Gate	5,0975 kg CO2e / 1 Piece

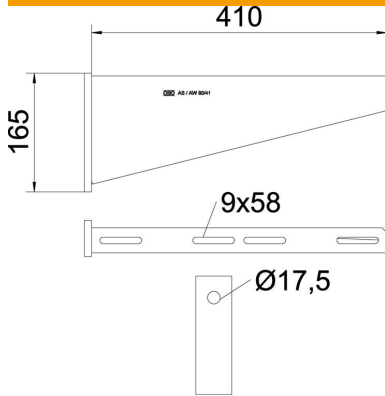
Technical data sheet

Wall bracket AW 80

Item number: 6417795



Dimensions

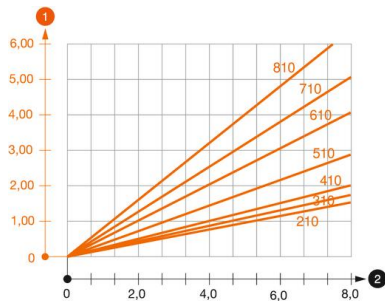


Length	50 mm
Width	410 mm
Height	165 mm
Dimension A	50 mm
Dimension B	410 mm
Dimension H	165 mm

Technical data

Version for	Wall and support bracket
F in kN	8 kN
Maintain electrical functions	no
Hole diameter	17.5 mm
Rustproof steel, pickled	no
Angle range, max.	90 mm
Angle range, min.	90 mm

Loads



Load diagram, bracket, type AW 80

- 1** Bending of the bracket tip at permitted bracket load
 - 2** Permitted bracket load in kN without man load
- Load curve with bracket lengths in mm

Characteristic anchor load values for wall bracket AW 80

Wall fastening	Max. load [kN]
Anchor type	Bracket width [mm]
BZ3 16x135/0-35	<TEXT><P>210</P></TEXT>, <TEXT><P>310</P></TEXT>, <TEXT><P>410</P></TEXT>, <TEXT><P>510</P></TEXT>, <TEXT><P>610</P></TEXT>, <TEXT><P>710</P></TEXT>, <TEXT><P>810</P></TEXT> <TEXT><P>7.31</P></TEXT>, <TEXT><P>7.66</P></TEXT>, <TEXT><P>6.87</P></TEXT>, <TEXT><P>6.38</P></TEXT>, <TEXT><P>5.90</P></TEXT>, <TEXT><P>5.17</P></TEXT>, <TEXT><P>4.69</P></TEXT>

Max. total load F = cable weight + cable tray + bracket. The load capacity values increase considerably when used in uncracked concrete. The values given are based on concrete of strength class C20/25. Observe the installation conditions of the DIBt approval (anchors).