

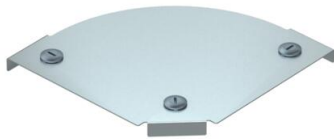
# Technical data sheet

## Cover for 90° Magic bend FS

Item number: 7138502



Cover for 90° bend with premounted turn buckles.  
The cover can be used with fittings of all side heights.



- St** Steel
- FS** Strip galvanized

### Master data

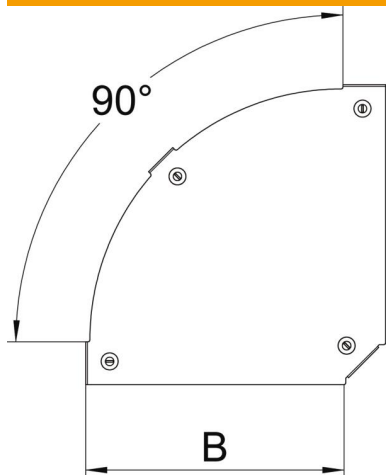
Item number	7138502
Type	DFBM 90 150 FS
Description 1	90° bend cover
Description 2	for bend RBM 90 150
Manufacturer	OBO
Dimension	B=150mm
Material	Steel
Surface	Strip galvanized
Surface standard	DIN EN 10346
Smallest sales unit	1
Unit of quantity	Piece
Weight	28.5 kg
Weight unit	kg/100 pc.

# Technical data sheet

## Cover for 90° Magic bend FS

Item number: 7138502

### Dimensions



Width	150 mm
Width	6 in
Plate thickness	0.05 in
Plate thickness	1.25 mm
Dimension B	150 mm

### Technical data

Bend (angle)	90°
Fastening type	Sash lock
Maintain electrical functions	no
Suitable for mesh cable tray	no
Suitable for cable ladder	yes
Suitable for cable tray	yes
Change of direction	Horizontal
Rustproof steel, pickled	no
Hinged	no