

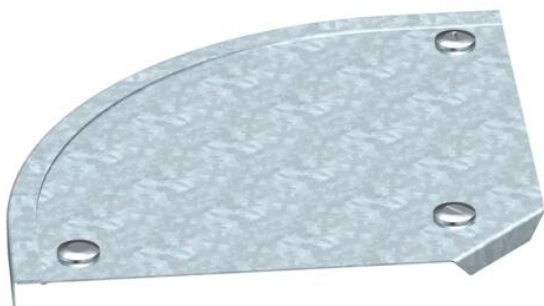
Technical data sheet

Cover for 90° bend DD

Item number: 7130546



Cover for 90° bend with pre-mounted turn buckles.
The cover can be used with fittings of all side heights.



St Steel

DD Strip galvanised zinc/aluminium, Double Dip

Master data

| | |
|---------------------|---|
| Item number | 7130546 |
| Type | DFB 90 200 DD |
| Description 1 | 90° bend cover |
| Description 2 | with turn-buckles, RB 90 200 |
| Manufacturer | OBO |
| Dimension | B200mm |
| Colour | zinc |
| Material | Steel |
| Surface | Strip galvanised zinc/aluminium, Double Dip |
| Surface standard | DIN EN 10346 |
| Smallest sales unit | 1 |
| Unit of quantity | Piece |
| Weight | 56 kg |
| Weight unit | kg/100 pc. |

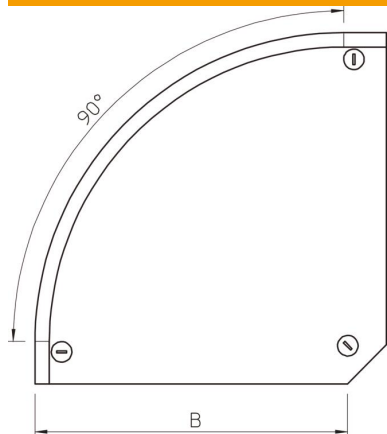
Technical data sheet

Cover for 90° bend DD

Item number: 7130546



Dimensions



| | |
|-----------------|---------|
| Width | 200 mm |
| Width | 8 in |
| Height | 35 mm |
| Plate thickness | 0.04 in |
| Plate thickness | 1 mm |
| Dimension H | 15 mm |

Technical data

| | |
|-----------------------------------|------------|
| Bend (angle) | 90° |
| Number of turn buckles | 3 St. |
| Fastening type | Sash lock |
| Maintain electrical functions | no |
| Suitable for mesh cable tray | no |
| Suitable for cable ladder | no |
| Suitable for cable tray | yes |
| Change of direction | Horizontal |
| Rustproof steel, pickled | no |
| Hinged | no |
| Permitted temperature range, max. | 120 °C |
| Permitted temperature range, min. | -20 °C |