

# Technical data sheet

## Mounting lid 350, nominal size RM2

Item number: 7400502



Mounting lid for underfloor junction and branch box of type UZD350-3 for the installation of a GESRM2 installation unit.



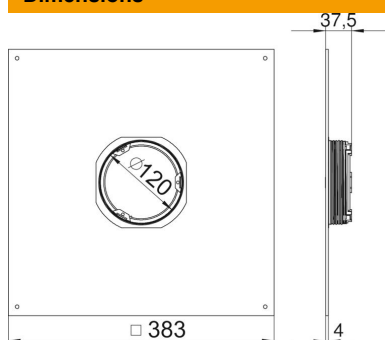
St Steel

FS Strip galvanized

### Master data

|                     |                    |
|---------------------|--------------------|
| Item number         | 7400502            |
| Type                | DUG 350-3 RM2      |
| Description 1       | Mounting lid       |
| Description 2       | 350-2/3 for GESRM2 |
| Manufacturer        | OBO                |
| Dimension           | 382x382x4          |
| Material            | Steel              |
| Surface             | Strip galvanized   |
| Surface standard    | DIN EN 10346       |
| Smallest sales unit | 1                  |
| Unit of quantity    | Piece              |
| Weight              | 466 kg             |
| Weight unit         | kg/100 pc.         |

### Dimensions



|               |        |
|---------------|--------|
| Length        | 383 mm |
| Width         | 383 mm |
| Dimension A   | 383 mm |
| Dimension d Ø | 120 mm |

# Technical data sheet

## Mounting lid 350, nominal size RM2

Item number: 7400502



### Technical data

|   |        |
|---|--------|
| Mounting opening cover                            | no     |
| Floor care  | Dry    |
| Seal installation option                          | no     |
| Installation opening for on-floor tank            | no     |
| Suitable for screed-flush closed underfloor ducts | no     |
| Suitable for screed-covered underfloor ducts      | yes    |
| Trunking width, max.                              | 350 mm |
| Trunking width, min.                              | 190 mm |
| Material thickness                                | 4 mm   |
| Mounting opening                                  | Round  |
| Nominal size                                      | 350 mm |
| Heavy-duty version                                | no     |