

# Technical data sheet

## Lid blind plate for round mounting opening

Item number: 7407152



Lid blind plate for flushfloor closing of a round mounting opening in a DUG mounting lid. The size of the mounting opening can be determined from the type designation.



**St** Steel

**FS** Strip galvanized

### Master data

Item number	7407152
Type	DUG B R4
Description 1	Blanking lid
Description 2	for R4 in mounting lid
Manufacturer	OBO
Dimension	Ø219mm
Material	Steel
Surface	Strip galvanized
Surface standard	DIN EN 10346
Smallest sales unit	1
Unit of quantity	Piece
Weight	88.5 kg
Weight unit	kg/100 pc.
CO2 Footprint (GWP) Cradle-to-Gate	3,308 kg CO2e / 1 Piece

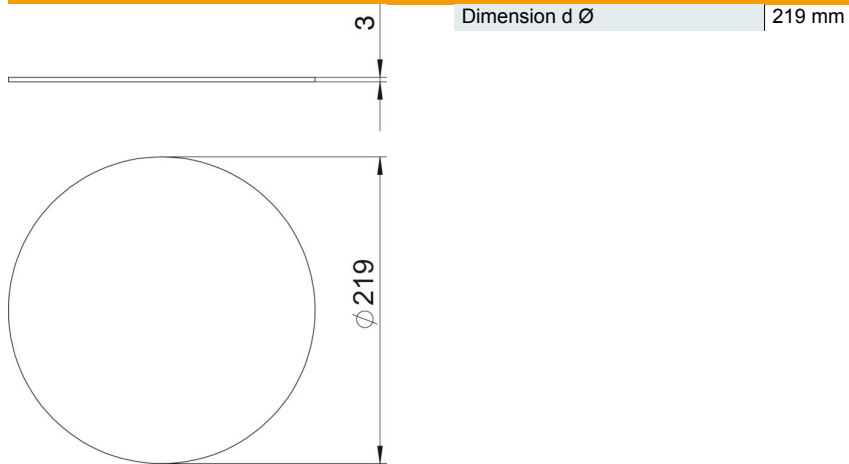
# Technical data sheet

## Lid blind plate for round mounting opening

Item number: 7407152



### Dimensions



### Technical data

Mounting opening cover	yes
Seal installation option	no
Installation opening for on-floor tank	no
Suitable for screed-flush closed underfloor ducts	no
Suitable for screed-covered underfloor ducts	yes
Material thickness	3 mm
Mounting opening	Without
Nominal size for device installation units	R4
Heavy-duty version	no