

Technical data sheet

Hook rail for G mesh cable tray A2

Item number: 6005645



Hook rail for wall mounting of G mesh cable trays



CE

A2 Stainless steel

2B Bright, treated

Master data

Item number	6005645
Type	G-GRM-R150 A2
Description 1	Hook rail
Description 2	for G mesh cable tray mounting
Manufacturer	OBO
Dimension	110x25x15
Material	Stainless steel
Surface	Bright, treated
Surface standard	
Smallest sales unit	25
Unit of quantity	Piece
Weight	4.8 kg
Weight unit	kg/100 pc.

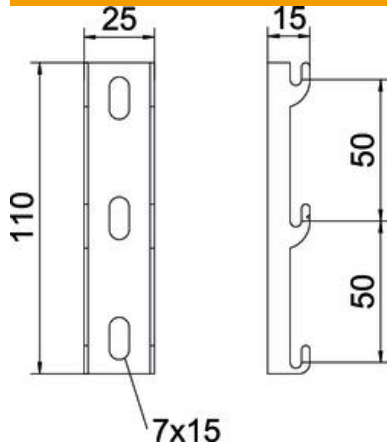
Technical data sheet

Hook rail for G mesh cable tray A2

Item number: 6005645



Dimensions



Length	110 mm
Width	25 mm
Width	0.98 in
Height	0 mm
Height	0 in

Technical data

Suitable for profile shapes	U-shaped
Profile shape	U-shaped
Rustproof steel, pickled	no