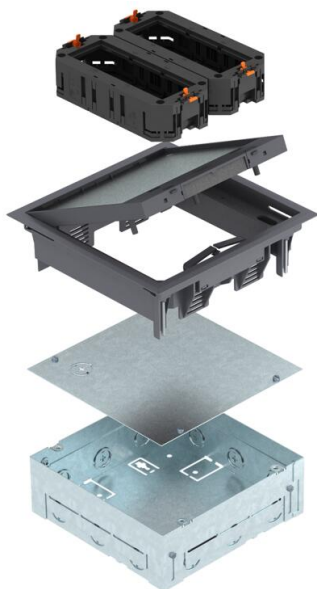


# Technical data sheet

## Complete solution, GES4 service outlet

Item number: 7427460



Square installation unit with cord outlet for use in dry-care cavity floors and screed floors for indoor use, consisting of an installation housing and GES4-2 service outlet (colour Iron grey; RAL 7011) with two universal supports. Installation housing with pre-marked insertion openings for pipelines (M25), adjustable to top edge of screed. In the as-delivered state, the installation housing is closed with a blanking lid. After screed work, the service outlet can be inserted in the created mounting opening. 3, 5, 8 or 10 mm floor covering recess in the hinged cover of the service outlet.

The minimum installation depth is 72 mm including floor covering, the height adjustment range +30 mm.

Up to 6 individual Modul 45® devices can be installed.



PA Polyamide

### Master data

Item number	7427460
Type	GES4-2 BOX 7011
Description 1	Service outlet-Set
Description 2	with mounting boxes
Manufacturer	OBO
Dimension	222x222x140
Colour	Iron grey; RAL 7011
Material	Polyamide
Smallest sales unit	1
Unit of quantity	Piece
Weight	290 kg
Weight unit	kg/100 pc.
CO2 Footprint (GWP) Cradle-to-Gate	9,9593 kg CO2e / 1 Piece

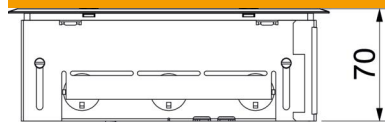
# Technical data sheet

Complete solution, GES4 service outlet

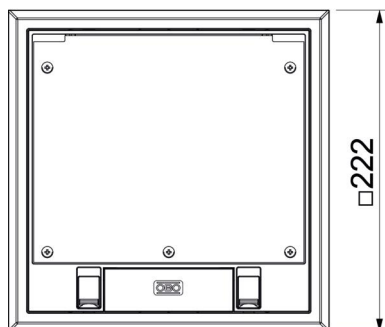
Item number: 7427460



## Dimensions



Length	205 mm
Width	205 mm



## Technical data

Cable outlet version	Swivellable cord outlet
Screed height, max.	100 mm
Screed height, min.	80 mm
Protection rating (IP) when used	IP20
Protection rating (IP) when unused	IP40
Protection rating IK code	IK08
Installation system type	UT3
Opening mechanism	Locking slider
Floor covering thickness	5 mm