

Technical data sheet

GESR4 service outlet with handle clamp

Item number: 7405444



Service outlet with handle clamp for up to 6 individual Modul 45 devices in 2 UT3 universal supports, use in duct systems and system floors for indoor use.

Up to 4 installation devices with 50 mm central plate can be inserted.

Service outlet with handle clamp, 2-compartment, for the installation of MT4 mounting support. Two type APMT2 cover plates can be installed.



PA Polyamide

Master data

Item number	7405444
Type	GESR4 U 1019
Description 1	Service outlet
Description 2	for universal mounting
Manufacturer	OBO
Dimension	Ø234x61
Colour	Grey-beige; RAL 1019
Material	Polyamide
Smallest sales unit	1
Unit of quantity	Piece
Weight	140 kg
Weight unit	kg/100 pc.
CO2 Footprint (GWP) Cradle-to-Gate	1,7699 kg CO2e / 1 Piece

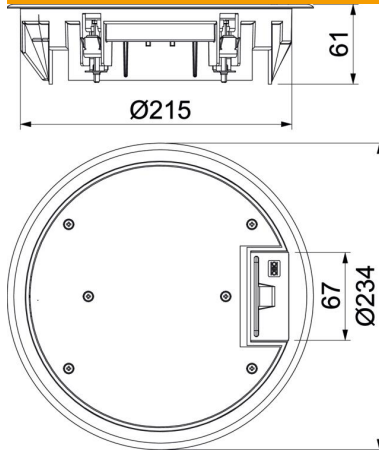
Technical data sheet

GESR4 service outlet with handle clamp

Item number: 7405444



Dimensions



Technical data

Number of installable devices	6
Number of mounting boxes	2
Version for	Round
Cable outlet version	Swivellable cord outlet
Floor covering protection frame	yes
Floor care	Dry
Seal installation option	no
Floor height, min.	73 mm
Suitable for raised floor installation	yes
Suitable for screed-flush closed underfloor ducts	yes
Suitable for screed-covered underfloor ducts	yes
Suitable for cavity floor installation	yes
Suitable for wet care	no
Suitable for underfloor box	250/350
Suitable for underfloor ducts	yes
Device support to accept mounting boxes	yes
With floor covering recess	yes
Nominal size for device installation units	R4
Frame version	Carpet protection frame
Protection rating (IP) when used	IP20
Protection rating (IP) when unused	IP40
Protection rating IK code	IK08
Heavy-duty version	no
Clamping range D, max.	31 mm
Clamping range D, min.	7 mm
Installation system type	UT3
Vertical load, large area	to 5,000 N
Vertical load, small area	to 3,000 N

Technical data sheet

GESR4 service outlet with handle clamp

Item number: 7405444



Technical data

Approvals	VDE
Opening mechanism	Handle
Floor covering thickness	5 mm