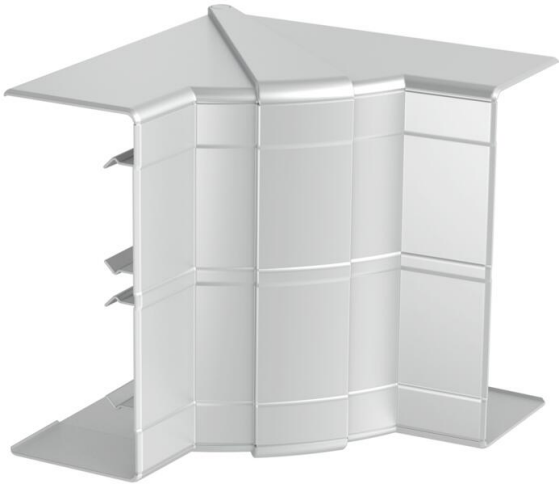


Technical data sheet

Internal corner hood, for Rapid 45-2 device installation trunking, type 53130
Item number: 6113254



Internal corner for changing the direction of Rapid 45 device installation trunking.



Polycarbonate/Acrylnitrile-butadiene-styrene

Master data

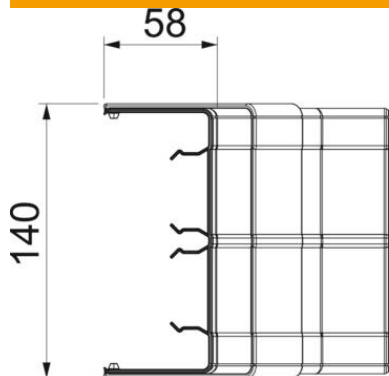
| | |
|------------------------------------|--|
| Item number | 6113254 |
| Type | GK-IH53130AL |
| Description 1 | Internal corner |
| Description 2 | variable |
| Manufacturer | OBO |
| Dimension | 140x145x145 |
| Colour | aluminium |
| Material | Polycarbonate/Acrylnitrile-butadiene-styrene |
| Smallest sales unit | 1 |
| Unit of quantity | Piece |
| Weight | 13.17 kg |
| Weight unit | kg/100 pc. |
| CO2 Footprint (GWP) Cradle-to-Gate | 0,7291 kg CO2e / 1 Piece |

Technical data sheet

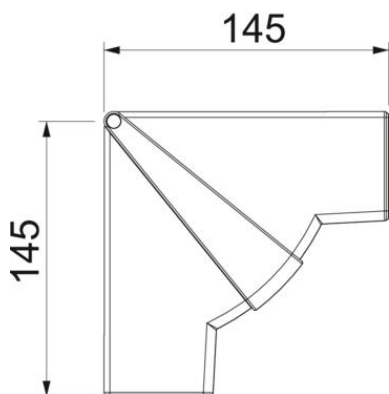
Internal corner hood, for Rapid 45-2 device installation
trunking, type 53130
Item number: 6113254



Dimensions



| | |
|--------|--------|
| Length | 145 mm |
| Width | 140 mm |
| Height | 58 mm |



Technical data sheet

Internal corner hood, for Rapid 45-2 device installation
trunking, type 53130
Item number: 6113254



Technical data

| | |
|--------------------------------------|--------------|
| Number of covers | 1 |
| Version for | Hood fitting |
| Shape | Symmetrical |
| for duct dimension | 53 x 130 mm |
| for duct width | 130 mm |
| for trunking height | 53 mm |
| Halogen-free | yes |
| Cable retaining clip | no |
| Duct connector | no |
| Cover mounting type | Cross-over |
| Mounting perforation in base | no |
| Cover width | 0 mm |
| Cover width 2 | 0 mm |
| Cover width 3 | 0 mm |
| Protection rating | IP40 |
| Protective film | no |
| Protection rating IK code | IK08 |
| Permitted temperature range, max. | 60 °C |
| Permitted temperature range, min. | -15 °C |
| Angle range, max. | 97 mm |
| Angle range, min. | 83 mm |