

Technical data sheet

Device installation trunking Rapid 80, trunking width 170,
trunking height 70, halogen-free
Item number: 6114300



GKH device installation trunking made of halogen-free PC/ABS, suitable for direct wall mounting or on wall panels. Fastening takes place using the perforation in the trunking. The GKH device installation trunking possesses a C profile on the floor to accept a plastic partition. All the switch programmes with a support ring and support clamp design as well as Modul 45 installation devices can be installed in the accessory mounting boxes of series 71GD.... The system opening is 76.5 mm. On each trunking length, a coupling pair is pre-assembled on one side.

The cover must be ordered separately.
Covers must be ordered separately.



PC/ABS Polycarbonate/Acrylnitrile-butadiene-styrene

Master data

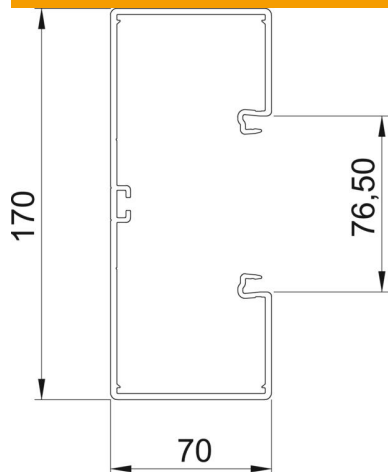
Item number	6114300
Type	GKH-70170RW
Description 1	Device inst.trunk.halogen-free
Description 2	with base perforation
Manufacturer	OBO
Dimension	70x170x2000
Colour	Pure white; RAL 9010
Material	Polycarbonate/Acrylnitrile-butadiene-styrene
Smallest sales unit	2
Unit of quantity	Metre
Weight	151 kg
Weight unit	kg/100 m
CO2 Footprint (GWP) Cradle-to-Gate	8,7003 kg CO2e / 1 Meter

Technical data sheet

Device installation trunking Rapid 80, trunking width 170,
trunking height 70, halogen-free
Item number: 6114300



Dimensions



Length	2,000 mm
Width	170 mm
Height	70 mm

Technical data

Number of covers	1
Number of insertable partitions	1
Rear panel version (inner side)	Continuous C profile
Rectangular shape	yes
Base perforation	With base perforation
Halogen-free	yes
Cable retaining clip	no
Duct connector	yes
Cover mounting type	Internal
Mounting perforation in base	yes
Usable cross-section	10100 mm ²
Cover supplied	no
Cover width	76.5 mm
Protection rating	IP30
Protective film	yes
Protection rating IK code	IK08
Symmetrical	yes
Permitted temperature range, max.	90 °C
Permitted temperature range, min.	-15 °C