

Technical data sheet

HW Cavity wall device box 61, CEE/PERILEX



Item number: 2003818



CEE/PERILEX cavity wall device box for use in cavity walls with an installation depth of at least 61 mm and a plate thickness of 5–40 mm.

- 2 screw domes
 - Device screws, clamping straps
 - 3 combination pipe entries of Ø 20 and 25 mm
 - 3 entries for NYM cables 3 x 2.5 mm² or 5 x 1.5 mm²
 - 2 entries for NYM cables 5 x 2.5 mm² or 7 x 1.5 mm²
 - 1 entry for NYM cables 3 x 1.5 mm²
- Tested according to DIN EN 60670-1, DIN EN 60670-22 and DIN 49073-1.



PP Polypropylene

Master data

Item number	2003818
Type	HG 61-AD
Description 1	HW Cavity wall device box
Description 2	for CEE/PERILEX
Available from	01.10.2021
Manufacturer	OBO
Dimension	Ø74mm, H61mm
Colour	Orange
Material	Polypropylene
Smallest sales unit	10
Unit of quantity	Piece
Weight	2.13 kg
Weight unit	kg/100 pc.
CO ₂ Footprint (GWP) Cradle-to-Gate	0,0809 kg CO ₂ e / 1 Piece

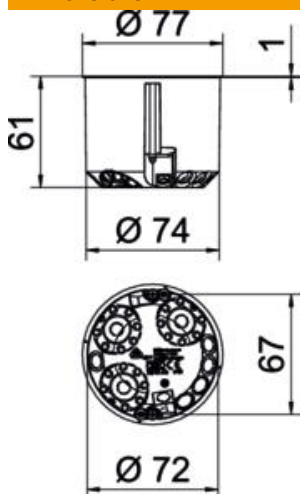
Technical data sheet

HW Cavity wall device box 61, CEE/PERILEX



Item number: 2003818

Dimensions



Height	61 mm
--------	-------

Technical data

No. of entries	9
Number of switch boxes	1
Type of entry	NYM cables and pipes
Type of housing penetration	Break-out opening
Version for	Single
Type	Device connection box
Device fixing	Screws ,
Cover	Without
Cover fastening	Screws ,
Flame-resistant	Acc. to VDE 0471/IEC 60695-2-11, test temperature 850°C
Shape	Round
Milling hole diameter	74 mm
for pipe diameter	20/25 mm
Suitable for plate thickness, max.	40 mm
Suitable for plate thickness, min.	5 mm
Halogen-free	yes
Combination entries Ø 20 / 25 mm	3
Cable entries 3 x 1.5 mm ²	1
Cable entries 3 x 2.5 mm ² / 5 x 1.5 mm ²	3
Cable entries 5 x 2.5 mm ² / 7 x 1.5 mm ²	2
With bolts	yes
Nominal cross-section, max.	2.5 mm ²
Nominal cross-section, min.	1.5 mm ²
Impact-resistant	no
Protection rating	IP30
Support	Without
Airtight	no
Rated voltage	400 V