

Technical data sheet

Pipe bend, plastic, halogen-free

Item number: 2047743



Accessory part: 90° bend to EN 61386 (Code: 4421) for halogen-free electrical installation pipes.



PC/
ABS

Polycarbonate/Acrylnitrile-butadiene-styrene

Master data

Item number	2047743
Type	KBH63 LGR
Description 1	Plastic armoured pipe bend
Description 2	halogen-free
Manufacturer	OBO
Dimension	Ø63mm
Colour	Light grey; RAL 7035
Material	Polycarbonate/Acrylnitrile-butadiene-styrene
Smallest sales unit	5
Unit of quantity	Piece
Weight	39.8 kg
Weight unit	kg/100 pc.

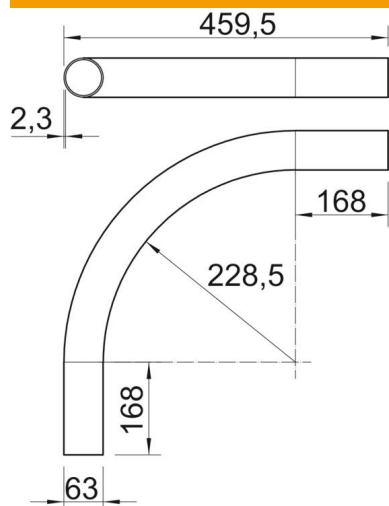
Technical data sheet

Pipe bend, plastic, halogen-free

Item number: 2047743



Dimensions



Length	459.5 mm
Dimension A	168 mm
Dimension D	63 mm
Dimension L	459.5 mm
Dimension m (mm)	M63
Dimension R	228.5 mm
Dimension t	2.3 mm

Technical data

Version for	Connector
Flexible	no
For nominal pipe diameter	63 mm
Halogen-free	yes
With sleeve	no
Angle of the bend	90 °