

Technical data sheet

Clamping angle KWH A2

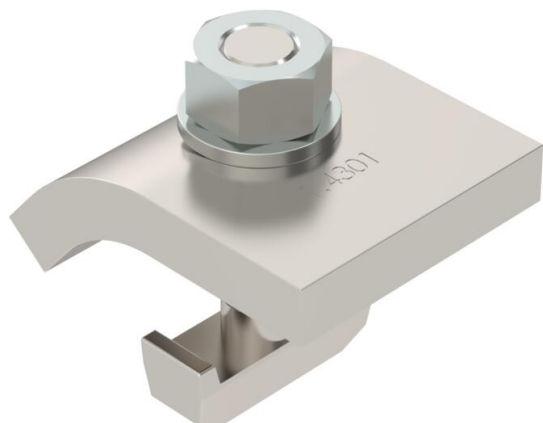
Item number: 6355323



Clamping angle, with hammer-head bolt, type KWH, for fixing in the profile rail, type CPS 5.

Choose the clamping angle according to the thickness of the flange.

The clamping angle is used in conjunction with profile rails of slot width 22 mm (e.g. type CPS 5).



A2 Stainless steel

2B Bright, treated

Master data

Item number	6355323
Description 1	Clamping profile
Description 2	with hook screw, h = 15 mm
Manufacturer	OBO
Dimension	60x50
Material	Stainless steel
Surface	Bright, treated
Surface standard	
Smallest sales unit	5
Unit of quantity	Pair
Weight	73 kg
Weight unit	kg/100 pairs

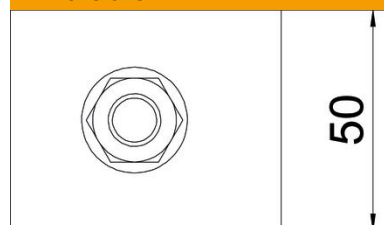
Technical data sheet

Clamping angle KWH A2

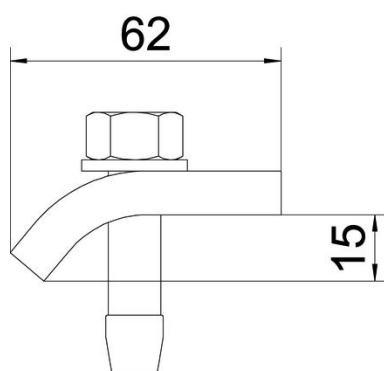
Item number: 6355323



Dimensions



Height	15 mm
--------	-------



Technical data

F in kN	5.7 kN
Suitable for flange thickness, max.	18 mm
Suitable for flange thickness, min.	12 mm
Thread metric	12
Bolt	M12 x 50