

Technical data sheet

Adjustable bend element 60 FS

Item number: 6225454



Adjustable bend element with welded rung for use in the cable ladder types with a side height of 60 mm.



St Steel

FS Strip galvanized

Master data

| | |
|------------------------------------|--------------------------|
| Item number | 6225454 |
| Type | LGBE 640 FS |
| Description 1 | Adjustable bend element |
| Description 2 | for cable ladder |
| Manufacturer | OBO |
| Dimension | 60x400 |
| Colour | zinc |
| Material | Steel |
| Surface | Strip galvanized |
| Surface standard | DIN EN 10346 |
| Smallest sales unit | 1 |
| Unit of quantity | Piece |
| Weight | 109.9 kg |
| Weight unit | kg/100 pc. |
| CO2 Footprint (GWP) Cradle-to-Gate | 3,5637 kg CO2e / 1 Piece |

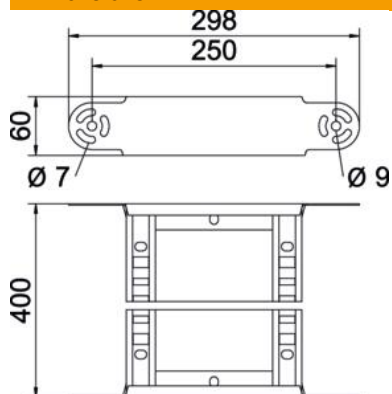
Technical data sheet

Adjustable bend element 60 FS

Item number: 6225454



Dimensions



| | |
|-------------|--------|
| Width | 400 mm |
| Height | 60 mm |
| Dimension B | 400 mm |
| Dimension R | 400 mm |

Technical data

| | |
|-------------------------------|--------------------------|
| Bend (angle) | Adjustable |
| Version of the rungs | Profile perforated |
| Side rail version | Flat profile |
| Connector version | Integrated connector |
| Maintain electrical functions | no |
| Change of direction | Vertical, rising/falling |
| Rustproof steel, pickled | no |
| Hinged | no |
| Side perforation | no |
| Wide-span version | no |
| Rail thickness | 1.5 mm |