

Technical data sheet

Multi-Quick clip

Item number: 2153114



Flush-mounted clip to accept metric and PG pipes and Quick-Pipe® electrical installation pipes. Flexible clamping range of several millimetres. Universal fastening options on walls and ceilings and usable in a profile rail, both in indoor and protected outdoor areas. Toolless pipe mounting. Can also be arranged with OBO Quick clip or proQuick clip.



PA Polyamide

Master data

Item number	2153114
Type	M-Quick 18-22LGR
Description 1	Multi-Quick clip
Manufacturer	OBO
Dimension	18,5-22,5mm
Colour	Light grey; RAL 7035
Material	Polyamide
Smallest sales unit	100
Unit of quantity	Piece
Weight	0.76 kg
Weight unit	kg/100 pc.
CO2 Footprint (GWP) Cradle-to-Gate	0,0322 kg CO2e / 1 Piece

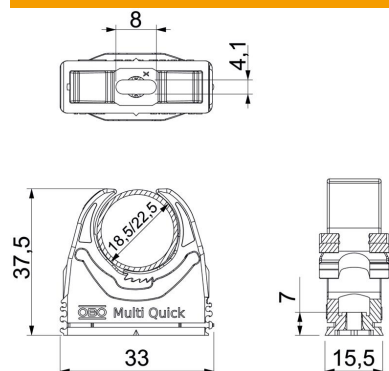
Technical data sheet

Multi-Quick clip

Item number: 2153114



Dimensions



Dimension A	33 mm
Dimension B	15.5 mm
Dimension E	8 mm
Dimension F	4.1 mm
Dimension h	7 mm
Dimension H	37.5 mm

Technical data

Expandable	yes
Number of cables/pipes	1
Pull-out value	50 N
Fastening type	Screw hole
Flame-resistant	acc. to VDE 0471/DIN 695 Part 2-1, test temperature 650°C
Closed	no
Halogen-free	yes
With inlay	no
Snap system	yes
Quick clip installation	Durchgangsloch, auf M6 Gewinde aufschraubbar
Clamping range D, max.	22.5 mm
Clamping range D, min.	18.5 mm
UV-resistant	no