

Technical data sheet

Wall and support bracket MWAG 12

Item number: 6424624



Light-duty wall and support bracket with edged design for screwless mesh cable tray fastening.
Including truss-head bolt M10 x 25 for fastening to U supports.
Including truss-head bolt M10 x 25 for fastening to U supports.



- St** Steel
- FS** Strip galvanized

Master data

Item number	6424624
Type	MWAG 12 41 FS
Description 1	Wall and support bracket
Description 2	for mesh cable tray
Manufacturer	OBO
Dimension	B410mm
Colour	zinc
Material	Steel
Surface	Strip galvanized
Surface standard	DIN EN 10346
Smallest sales unit	1
Unit of quantity	Piece
Weight	68 kg
Weight unit	kg/100 pc.
CO2 Footprint (GWP) Cradle-to-Gate	2,0135 kg CO2e / 1 Piece

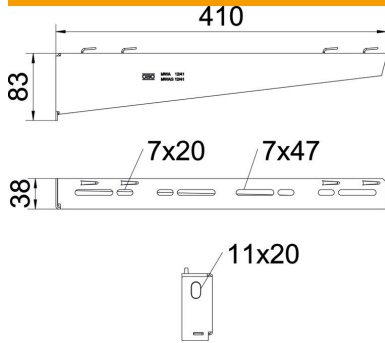
Technical data sheet

Wall and support bracket MWAG 12

Item number: 6424624



Dimensions

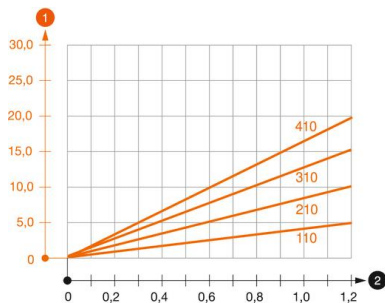


Length	38 mm
Width	410 mm
Height	83 mm
Dimension A	38 mm
Dimension B	410 mm
Dimension H	83 mm

Technical data

Version for	Wall and support bracket
F in kN	1.2 kN
Maintain electrical functions for width max.	no
for width min.	400 mm
Hole diameter	400
Rustproof steel, pickled	11 mm
Angle range, max.	no
Angle range, min.	90 mm

Loads



Load diagram, bracket type MWAG 12

- 1 Bending of the bracket tip at permitted bracket load
- 2 Permitted bracket load in kN without man load
- Load curve with bracket lengths in mm

Characteristic anchor load values for wall and support bracket MWAG 12

Wall fastening	Max. load [kN]
Anchor type	Bracket width [mm]
BZ3 10x90/0-30	<TEXT><P>110</P></TEXT>, <TEXT><P>210</P></TEXT>, <TEXT><P>310</P></TEXT>, <TEXT><P>410</P></TEXT>
	<TEXT><P>1.2</P></TEXT>, <TEXT><P>1.2</P></TEXT>, <TEXT><P>1.2</P></TEXT>, <TEXT><P>1.2</P></TEXT>

Max. Belastung F ges. = Kabelgewicht + Kabelrinne + Ausleger. Die angegebenen Werte basieren auf gerissenem Beton der Festigkeitsklasse C20/25. Die Einbaubedingungen der ETA-Zulassung (Dübel) sind zu beachten!

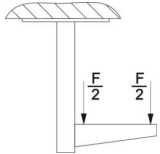
Technical data sheet

Wall and support bracket MWAG 12

Item number: 6424624



Load values for MWAG 12 on suspended support



Support	Max. total load F in kN Bracket length in mm
US 3 K/ 20 - 60	<P>100</P>, <P>200</P>, <P>300</P>, <P>400</P>
US 3 K/ 70 - 120	<P>1.2</P>, <P>1.2</P>, <P>1.2</P>, <P>1.2</P>
US 5 K/ 20 - 60	<P>1.2</P>, <P>1.2</P>, <P>1.2</P>, <P>1.2</P>
US 5 K/ 70 - 120	<P>1.2</P>, <P>1.2</P>, <P>1.2</P>, <P>1.2</P>