

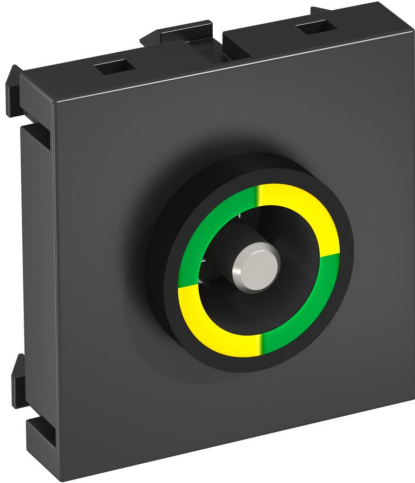
Technical data sheet

Equipotential bonding socket, 1 module, straight outlet,
black-grey

Item number: 6120001



Equipotential bonding socket to DIN 42801, socket in black with green-yellow colour ring, cable connection to rear with M6 screw bolt, including two nuts, washers and a serrated washer.



PC Polycarbonate

Master data

Item number	6120001
Type	PAD-ID6 SWGR1
Description 1	Equipotential bonding socket
Manufacturer	OBO
Dimension	45x45mm
Colour	Black-grey; RAL 7021
Material	Polycarbonate
Smallest sales unit	1
Unit of quantity	Piece
Weight	5 kg
Weight unit	kg/100 pc.
CO2 Footprint (GWP) Cradle-to-Gate	0,1113 kg CO2e / 1 Piece

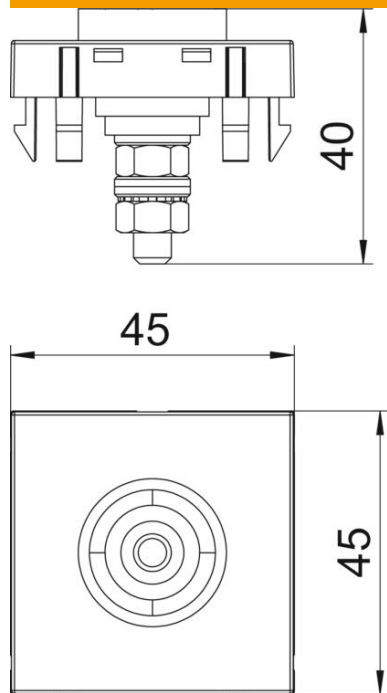
Technical data sheet

Equipotential bonding socket, 1 module, straight outlet,
black-grey

Item number: 6120001



Dimensions



Dimension	45 x 45
-----------	---------

Technical data

Surface version	Matt
Version for	Socket, single
Halogen-free	yes
Mounting type	Installation
Transparent	no
Combination	Basic element with central cover plate