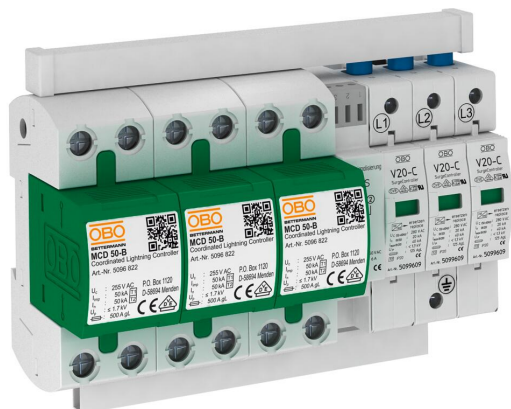


Technical data sheet

Protection set MCD + V20 3-pole with remote signalling

Item number: 5089756



Protection set, lightning and surge arrester type 1+2

- Arresting capacity 100 kA 10/350 μ s, BET-tested
- Pre-mounted and ready for connection, incl. connecting bridges, labelled connection terminals
- With remote signalling and potential-free NO contact for function monitoring
- For use in TN-C network systems

Note: Max. backup fuse (required only if not already fitted in network) 125 A gL/gG.



Master data

Item number	5089756
Type	PS3-B+C TNC+FS
Description 1	Protection set
Description 2	three-pole with RS
Manufacturer	OBO
Dimension	255V
Smallest sales unit	1
Unit of quantity	Piece
Weight	163 kg
Weight unit	kg/100 pc.
CO2 Footprint (GWP) Cradle-to-Gate	8,3204 kg CO2e / 1 Piece

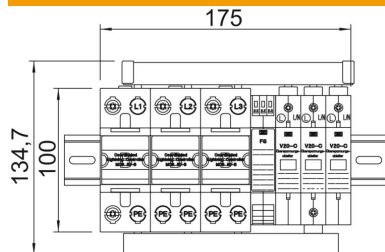
Technical data sheet

Protection set MCD + V20 3-pole with remote signalling

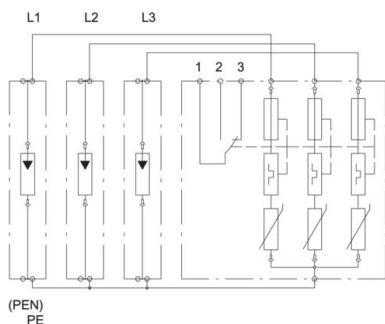
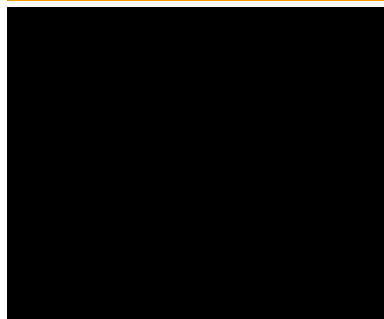
Item number: 5089756



Dimensions



Technical data



Arrester surge current (8/20 μ s) [total]	100 kA
Response time	<25 ns
Blow-out	no
Version for	3-pole with FS; 255 V
Pole version	3
Structural width in division units (division unit, 17.5 mm)	10th
Operating temperature, max.	85 °C
Operating temperature, min.	-40 °C
Lightning surge current (10/350 μ s)	50 kA
Lightning surge current (10/350)	100 kA
Remote signalling	yes
Follow current quenching capacity I_{eff}	12.5 kA
Maximum continuous voltage (L-N)	255 V
Maximum continuous voltage AC	255 V
Short-circuit resistance	25 kA
Short-circuit resistance for max. mains-side overcurrent protection	25 kA
Conductor cross-section, rigid (single-wire/multiwire), max.	50 mm ²
Conductor cross-section, rigid (single-wire/multiwire), min.	10 mm ²
Lightning protection zone LPZ	0→2
Max. mains-side overcurrent protection	125
Maximum back-up fuse	125 A
Maximum discharge current (8/20 μ s)	100 kA
Installation type	DIN rail 35 mm
Nominal discharge current (8/20 μ s)	50 kA
Nominal voltage AC (50/60 Hz)	230 V
Network form	TN-C
Pole number	3
Protection rating	IP20
Protection level	≤1,7 kV
Signalling on device	Visual
SPD to EN 61643-11	Type 1+2
SPD to IEC 61643-1	Class I+II

Technical data sheet

Protection set MCD + V20 3-pole with remote signalling

Item number: 5089756



Technical data



Permitted temperature range, max.	85 °C
Permitted temperature range, min.	-40 °C

