

# Technical data sheet

## 90° adjustable bend, vertical 60 A2

Item number: 7138148



90° adjustable vertical bend, for all cable tray types with a side height of 60 mm. The bend is shipped in an unmounted state. No additional fastening materials are required.



**A2** Stainless steel

**2B** Bright, treated

### Master data

Item number	7138148
Description 1	Adjustable bend
Description 2	vertical
Manufacturer	OBO
Dimension	60x300
Material	Stainless steel
Surface	Bright, treated
Surface standard	
Smallest sales unit	1
Unit of quantity	Piece
Weight	265 kg
Weight unit	kg/100 pc.

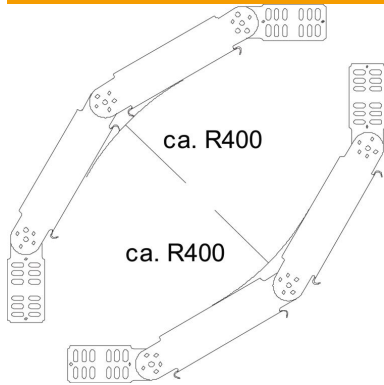
# Technical data sheet

90° adjustable bend, vertical 60 A2

Item number: 7138148



## Dimensions



Width	300 mm
Width	12 in
Height	60 mm
Height	2 in
Plate thickness	1 mm
Dimension R	400 mm

## Technical data

Bend (angle)	90°
Connector version	Supplied connectors
Type	Adjustable bend_complete
Maintain electrical functions	no
Mounting perforation in base	no
NATO hole pattern	no
Change of direction	Vertical, rising/falling
Rustproof steel, pickled	no
Side perforation	no
Wide-span version	no
Type of connector, cable support system	Screwed