

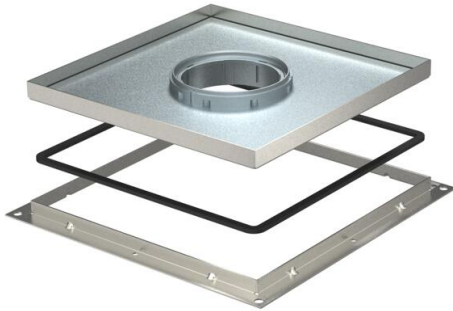
# Technical data sheet

Frame cassette for tube body, RKF, nominal size 250-3,  
stainless steel

Item number: 7409408



Frame cassette for tube body, for UZD250-3, for the installation of accessories in dry or wet-cleaned floors in interior areas. The tube body is not contained in the scope of delivery.



A2 Stainless steel

## Master data

Item number	7409408
Type	RKF3 V2 25
Description 1	Frame cassette
Description 2	for tube
Manufacturer	OBO
Dimension	283x283x25
Material	Stainless steel 1.4301
Smallest sales unit	1
Unit of quantity	Piece
Weight	432.4 kg
Weight unit	kg/100 pc.
CO2 Footprint (GWP) Cradle-to-Gate	20,8588 kg CO2e / 1 Piece

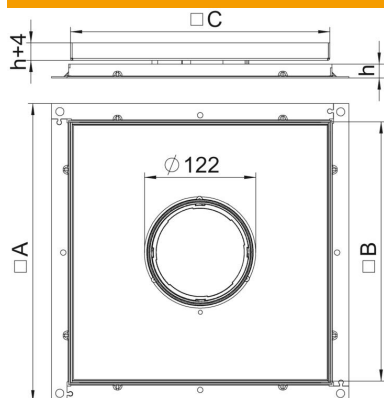
# Technical data sheet

Frame cassette for tube body, RKF, nominal size 250-3,  
stainless steel

Item number: 7409408



## Dimensions



Dimension A	324 mm
Dimension B	288 mm
Dimension C	282 mm
Dimension h	25 mm

## Technical data

Number of cable outlets	1
Cable outlet version	Lowerable tube body
Floor care	Wet
Suitable for	Underfloor socket structure
Device support to accept mounting boxes	no
Floor covering thickness	23 mm