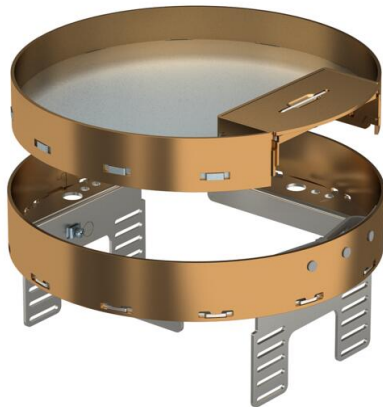


# Technical data sheet

Height-adjustable cassette with cord outlet, RKSRNUZD3, brass

Item number: 7409284



Height-adjustable cassette, decoupled from the floor, of nominal size R4, with cord outlet, for the installation of accessories in dry-cleaned floors for indoor use, for mounting in underfloor boxes UZD250-3 or UZD350-3, either in conjunction with a mounting lid DUG..R4 or in UGD250-3R4 or UGD350-3R4. Mounting takes place using height adjustment brackets (order separately) in the aluminium frame profile of the underfloor boxes.

Height-adjustable cassette for cord outlet, 2-compartment. 2 APMT2 cover plates can be installed. For the installation of 2 UT3 universal supports for 4 individual installation devices with support ring/support clamp or 6 Modul 45 devices.



## Master data

Item number	7409284
Type	RKSRN2UZD3R4MS25
Description 1	Round cassette
Description 2	with cord outlet
Manufacturer	OBO
Dimension	Ø215mm
Material	Brass
Smallest sales unit	1
Unit of quantity	Piece
Weight	203 kg
Weight unit	kg/100 pc.
CO2 Footprint (GWP) Cradle-to-Gate	9,2006 kg CO2e / 1 Piece

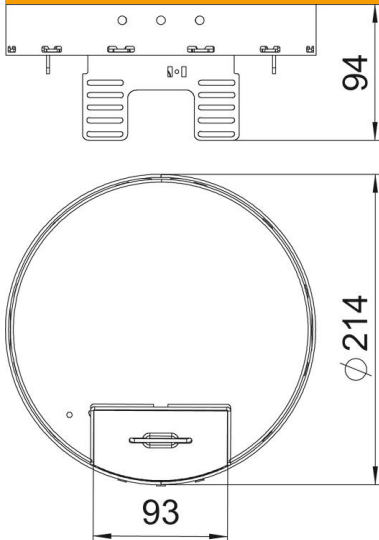
# Technical data sheet

Height-adjustable cassette with cord outlet, RKSRNUZD3, brass

Item number: 7409284



## Dimensions



Length	214 mm
Width	214 mm
Height	94 mm
Dimension h	94 mm

## Technical data

Number of installable devices	6
Number of mounting boxes	2
Number of cable outlets	1
Version for	Round
Cable outlet version	Swivellable cord outlet
Floor care	Dry
Decouplable	yes
Floor height, min.	94 mm
Suitable for raised floor installation	no
Suitable for cavity floor installation	no
Suitable for underfloor box	250/350
Device support to accept mounting boxes	yes
Nominal size for device installation units	R4
Protection rating (IP) when used	IP20
Protection rating (IP) when unused	IP40
Protection rating IK code	IK10
Heavy-duty version	no
Installation system type	UT3
Vertical load, large area	to 3,000 N
Vertical load, small area	to 3,000 N
Approvals	VDE
Floor covering thickness	25 mm