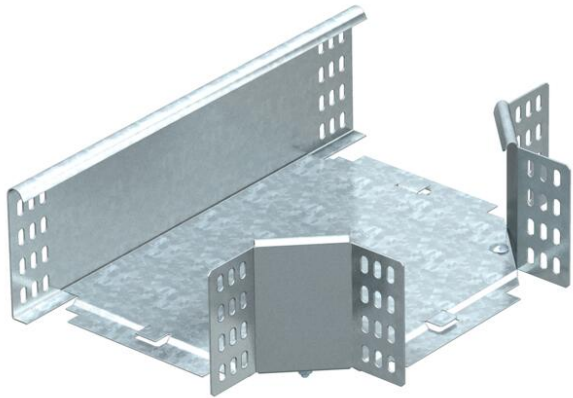


Technical data sheet

T branch piece 110 FS

Item number: 7003633



Horizontal T branch piece, for all cable tray types of 110 mm side height.
The fitting is shipped in an unmounted state. Including appropriate fastening material.



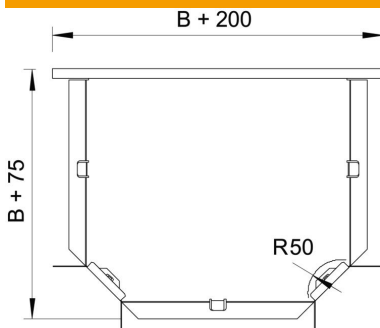
St Steel

FS Strip galvanized

Master data

Item number	7003633
Type	RT 110 FS
Description 1	T-branch piece
Description 2	horizontal + angle connector
Manufacturer	OBO
Dimension	110x100
Material	Steel
Surface	Strip galvanized
Surface standard	DIN EN 10346
Smallest sales unit	1
Unit of quantity	Piece
Weight	105 kg
Weight unit	kg/100 pc.

Dimensions



Width	100 mm
Width	4 in
Height	110 mm
Dimension B	100 mm
Dimension R	50 mm

Technical data sheet

T branch piece 110 FS

Item number: 7003633



Technical data

Bend (angle)	90°
Connector version	Without connectors
Maintain electrical functions	no
NATO hole pattern	no
Change of direction	Horizontal
Rustproof steel, pickled	no
Wide-span version	no
Type of connector, cable support system	Screwed
Rail thickness	1.25 mm