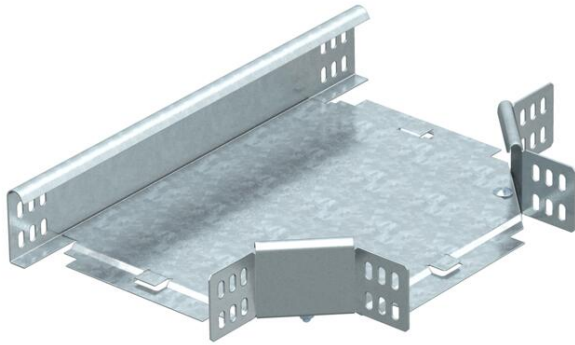


# Technical data sheet

## T branch piece 60 FT

Item number: 7117209



Horizontal T branch piece, for all cable tray types of 60 mm side height.  
The fitting is shipped in an unmounted state. All the sides are designed for the same cable tray width.  
Including appropriate fastening material.



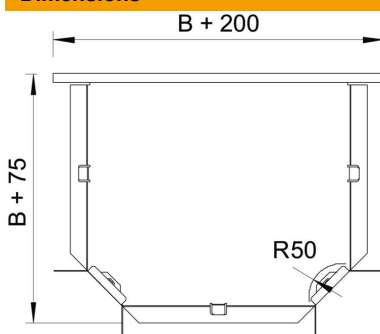
**St** Steel

**FT** Hot-dip galvanised

### Master data

|                     |                              |
|---------------------|------------------------------|
| Item number         | 7117209                      |
| Type                | RT 620 FT                    |
| Description 1       | T-branch piece               |
| Description 2       | horizontal + angle connector |
| Manufacturer        | OBO                          |
| Dimension           | 60x200                       |
| Colour              | zinc                         |
| Material            | Steel                        |
| Surface             | Hot-dip galvanised           |
| Surface standard    | DIN EN ISO 1461              |
| Smallest sales unit | 1                            |
| Unit of quantity    | Piece                        |
| Weight              | 144.8 kg                     |
| Weight unit         | kg/100 pc.                   |

### Dimensions



|             |        |
|-------------|--------|
| Width       | 200 mm |
| Width       | 8 in   |
| Height      | 60 mm  |
| Dimension B | 200 mm |
| Dimension R | 50 mm  |

# Technical data sheet

T branch piece 60 FT

Item number: 7117209



## Technical data

|   |                     |
|---|---------------------|
| Bend (angle)                            | 90°                 |
| Connector version                       | Supplied connectors |
| Maintain electrical functions           | no                  |
| NATO hole pattern                       | no                  |
| Change of direction                     | Horizontal          |
| Rustproof steel, pickled                | no                  |
| Wide-span version                       | no                  |
| Type of connector, cable support system | Screwed             |
| Rail thickness                          | 1.25 mm             |