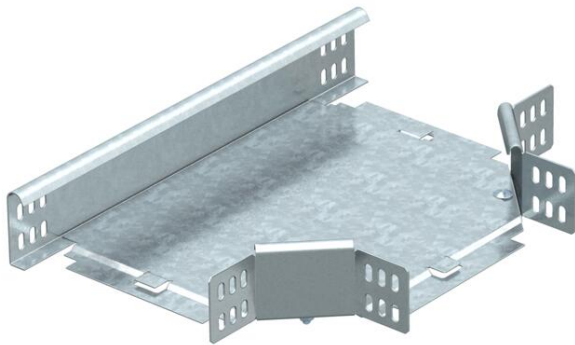


Technical data sheet

T branch piece 60 FS

Item number: 6043437



Horizontal T branch piece, for all cable tray types of 60 mm side height.
The fitting is shipped in an unmounted state. All the sides are designed for the same cable tray width.
Including appropriate fastening material.

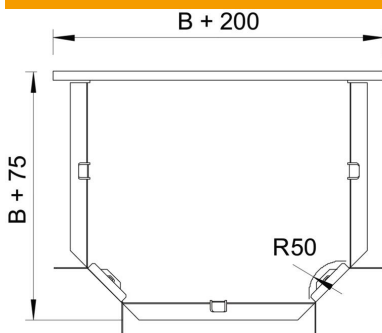


- St** Steel
- FS** Strip galvanized

Master data

| | |
|---------------------|------------------------------|
| Item number | 6043437 |
| Type | RT 630 FS |
| Description 1 | T-branch piece |
| Description 2 | horizontal + angle connector |
| Manufacturer | OBO |
| Dimension | 60x300 |
| Material | Steel |
| Surface | Strip galvanized |
| Surface standard | DIN EN 10346 |
| Smallest sales unit | 1 |
| Unit of quantity | Piece |
| Weight | 198.2 kg |
| Weight unit | kg/100 pc. |

Dimensions



| | |
|-------------|--------|
| Width | 300 mm |
| Width | 12 in |
| Height | 60 mm |
| Dimension B | 300 mm |
| Dimension R | 50 mm |

Technical data sheet

T branch piece 60 FS

Item number: 6043437



Technical data

| | |
|-----------------------------------------|---------------------|
| Bend (angle) | 90° |
| Connector version | Supplied connectors |
| Maintain electrical functions | no |
| NATO hole pattern | no |
| Change of direction | Horizontal |
| Rustproof steel, pickled | no |
| Wide-span version | no |
| Type of connector, cable support system | Screwed |
| Rail thickness | 1.25 mm |