

# Technical data sheet

## Hot-dip galvanised steel bend, without thread

Item number: 2046817



90° bend with moulded sleeves, for electrical installation pipes according to EN 61386-1. With burr-free inner wall.



- St** Steel
- FT** Hot-dip galvanised

### Master data

Item number	2046817
Type	SBN20 FT
Description 1	Conduit plug-in bend
Description 2	without thread
Manufacturer	OBO
Dimension	Ø20mm
Material	Steel
Surface	Hot-dip galvanised
Surface standard	DIN EN ISO 1461
Smallest sales unit	25
Unit of quantity	Piece
Weight	13.3 kg
Weight unit	kg/100 pc.
CO2 Footprint (GWP) Cradle-to-Gate	0,5426 kg CO2e / 1 Piece

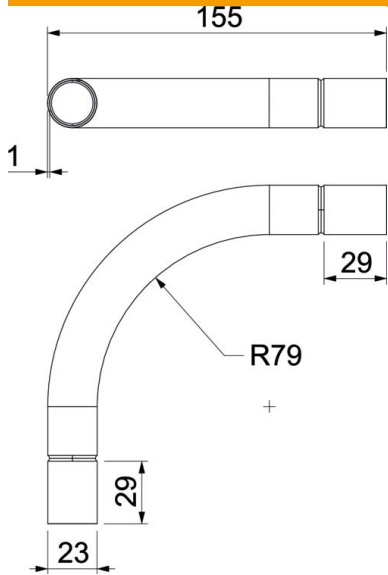
# Technical data sheet

## Hot-dip galvanised steel bend, without thread

Item number: 2046817



### Dimensions



Dimension A	53.7 mm
Dimension B	155 mm
Dimension D	22.6 mm
Dimension d	20.6 mm
Dimension l	30 mm
Dimension m (mm)	M20
Dimension R	90 mm
Dimension t	1 mm

### Technical data

Version for	Connector
Flexible	no
For nominal pipe diameter	20 mm
Halogen-free	no
With inspection opening and lid	no
With sleeve	yes
Brushed surface	no
Polished surface	no
Permitted temperature range, max.	400 °C
Permitted temperature range, min.	-45 °C
Angle of the bend	90 °
Two-part	no