

Technical data sheet

Device protection hood for dry-care floors, floor covering thickness < 6 mm

Item number: 7408044



Dome lid for use in UDL2-80 underfloor outlet boxes and underfloor outlets for protected cable outlets for indoor use. Suitable for floor covering thicknesses of more than 6 mm.



PA Polyamide

Master data

Item number	7408044
Type	SH80 T 9011
Description 1	Dome lid
Manufacturer	OBO
Colour	Graphite black; RAL 9011
Material	Polyamide
Smallest sales unit	1
Unit of quantity	Piece
Weight	7 kg
Weight unit	kg/100 pc.
CO2 Footprint (GWP) Cradle-to-Gate	0,329 kg CO2e / 1 Piece

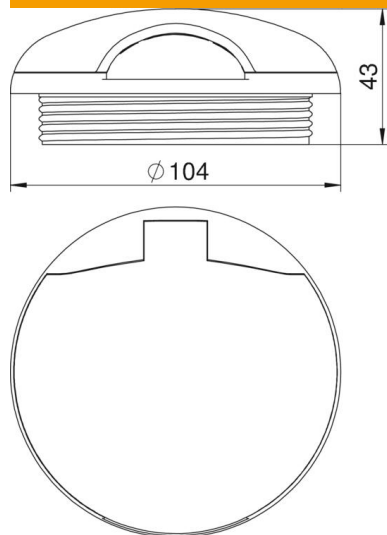
Technical data sheet

Device protection hood for dry-care floors, floor covering thickness < 6 mm

Item number: 7408044



Dimensions



Technical data

Expansion option	For installation of accessories
Cover version	Round
Seal installation option	no
For pipe connection	no